



Insignia

Insignia Basin Mixer

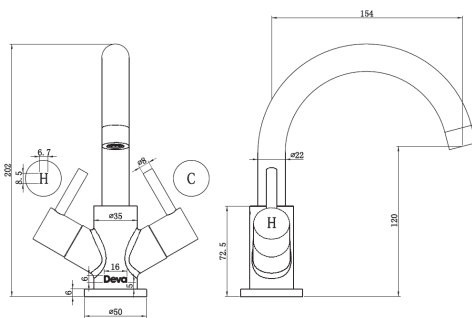
Product Code: INS120

Finish: Chrome

Features

- Construction:** Brass
- Valve/Cartridge type:** Ceramic Disc Valves
- Supply:** Suitable For Low Pressure Systems
- Working Pressures:** 0.1 - 5.0 bar
- Inlet connections:** 1/2" BSP
- Flexi or Copper:** Flexi Tails - M10 - 400mm

- 1/4 Turn Ceramic Disc Handles Ensure A Smooth Operation And Longer Life
- Comes Complete With Press Top Waste
- Products Which Are Easy To Use By All The Family



*Please refer to website for full warranty details.

Flow (Bar - l/min, open outlet)

Spout

Flow 0.1	Flow 0.3	Flow 0.5	Flow 1.0	Flow 2.0	Flow 3.0	Flow 4.0	Flow 5.0
2.4	3.7	4.9	7.1	10.2	12.5	14.5	16.2



2207723



2207305

