



Milan

Milan Bath Taps

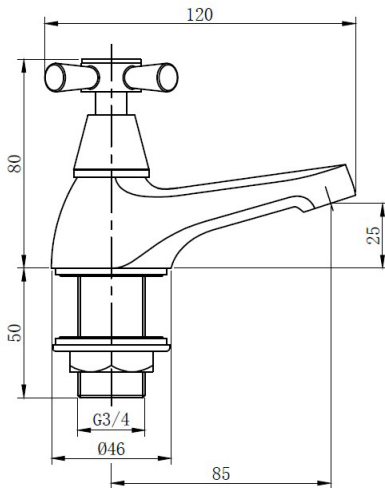
Product Code: MILAN 102

Finish: Chrome

Features

- Construction:** Brass
- Valve/Cartridge type:** Non-rising Spindle Headworks
- Supply:** Suitable For Low Pressure Systems
- Working Pressures:** 0.1 - 5.0 bar
- Inlet connections:** 3/4" BSP
- Flexi or Copper:** N/A

- Complete with brass backnuts
- Suitable for high & low pressure systems
- Non-rising spindle headworks
- Tap Height 80mm,
Spout Height 25mm,
Spout Reach 85mm



*Please refer to website for full warranty details.

Flow (Bar - l/min, open outlet)

Spout

Flow 0.1	Flow 0.3	Flow 0.5	Flow 1.0	Flow 2.0	Flow 3.0	Flow 4.0	Flow 5.0
8.5	18	21.9	30.83	42.97	52.01	59.68	66.9



2311079

