

SHOWERS



DevaTM by METHVEN

Thermostatic Bar

Vertical L Shaped Bar Shower Valve - Chrome

Product Code: VVERT01

Finish: Chrome

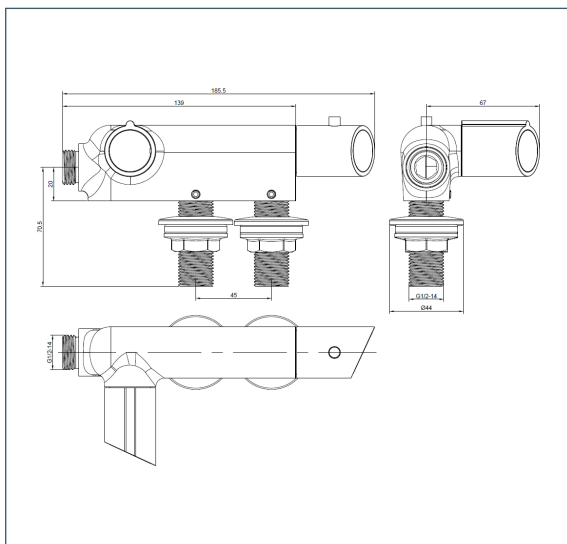
Features

Construction:	Brass
Shower Valve:	Thermostatic
Supply:	Suitable For All Plumbing Systems
Working Pressures:	0.1 - 5.0 bar
Inlet connections:	½" BSP
Operation:	Separate Flow And Temperature Controls

- 38°C Temperature Hot Stop With Override Facility
- Ideal For Caravans And Where Space Is Limited
- Cold Supply Is The Top Inlet, Hot Supply Is The Bottom Inlet



*Please refer to website for full warranty details.



Flow (Bar - l/min, open outlet)

Outlet

Flow 0.1	Flow 0.3	Flow 0.5	Flow 1.0	Flow 2.0	Flow 3.0	Flow 4.0	Flow 5.0
4.1	6.4	8.6	12.6	18	22.1	25.6	28.3



2009731



2107801



www.deva-uk.com · 0800 195 1602 · sales@uk.methven.com