



Milan

Milan Basin Taps

Product Code: MILAN 101

Finish: Chrome

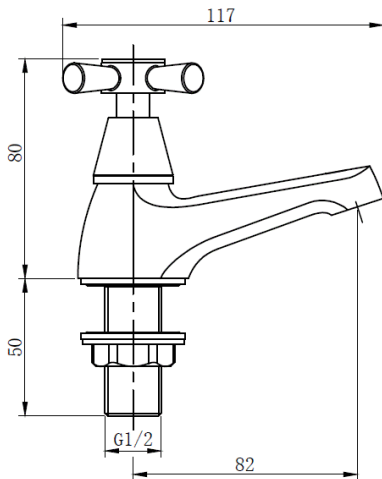
Features

- Construction:** Brass
- Valve/Cartridge type:** Non-rising Spindle Headworks
- Supply:** Suitable For Low Pressure Systems
- Working Pressures:** 0.1 - 5.0 bar
- Inlet connections:** 1/2" BSP
- Flexi or Copper:** N/A

- Complete with brass backnuts
- Works with flow regulator type FR101



*Please refer to website for full warranty details.



Flow (Bar - l/min, open outlet)

Spout

Flow 0.1	Flow 0.3	Flow 0.5	Flow 1.0	Flow 2.0	Flow 3.0	Flow 4.0	Flow 5.0
7.43	16.54	20.69	29.18	41.34	50.68	58.5	65.2



2301089

