

Warranty Information

Proof of purchase will be required.

The guarantee does not cover faults or damage caused by incorrect installation and/or maintenance, ordinary wear and tear, water composition, etc.

*Please see www.deva-uk.com for full terms and conditions of warranty

Cleaning

Your product has a high-quality finish and should be treated with care to preserve the visible surfaces. Never use abrasives or abrasive cleaning agents to clean this product. Clean regularly with contamination free warm water and a damp soft cloth. Do not use products containing chlorine bleach or hydrochloric acid as these can damage the product.

We have a policy of continuous improvement and reserve the right to change specifications without notice.

METHVEN UK LIMITED

METHVEN EXPERIENCE CENTRE
3/3A STONE CROSS COURT

YEW TREE WAY
GOLBORNE
WARRINGTON
WA3 3JD
UNITED KINGDOM

INST-NCT003
30.06.2020

TEL: 0800 195 1602
FAX: 0844 406 8690
EMAIL: sales@uk.methven.com
www.deva-uk.com
www.methven.com

Non Concussive Pre-Set Recessed Shower Valve NCT003 Installation Guide

Technical Specification

Working Pressure:

Min: 0.2 Bar

Max: 5.0 Bar

Operating Temperature:

Hot: 65°C

Cold: 5°C

Inlet Connections:

15mm Copper

Features:

- Suitable for swimming baths, leisure clubs etc
- Pre-set automatic shut off after approximately 20 seconds



Contents

Congratulations on your purchase of your new Non-Concussive Pre-Set Recessed Shower Valve. Our fitting instructions have been created with you in mind to provide you with all the information you require and, if you need any further help, please don't hesitate to contact our customer care team on 0800 195 1602.

General Safety Information	3
Line Drawing	3
Product Breakdown	4
Product Breakdown	5
Installation Requirements	6
Maintenance	7
Warranty Information	8
Cleaning	8

Maintenance

This product due to its design may need some maintenance. The regularity of this will depend on its usage and the water type. If in a hard water area maintenance may be required more often.

It is recommended to clean out the white plastic cup inside the tap/mixer to maintain good working order, especially the fine internal groove (as shown).

To do this first turn off the water supply.

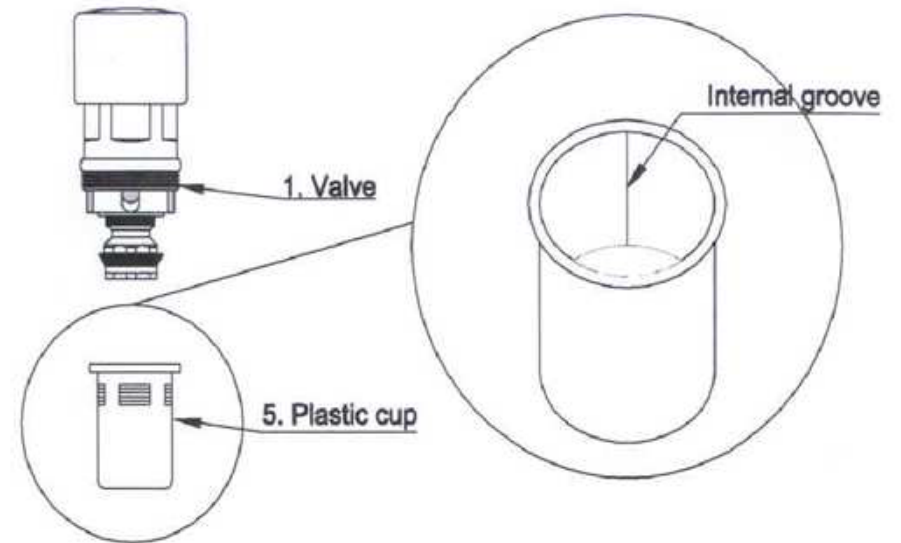
Remove the handle/valve using a spanner.

The valve will then pull away from the tap/mixer.

The white plastic cup may come away with the valve, if not simply remove it by pulling it from the body.

Once removed, clean out the cup and run down the groove using a pin to clear out any debris.

When thoroughly cleaned, replace cup, valve and tighten.

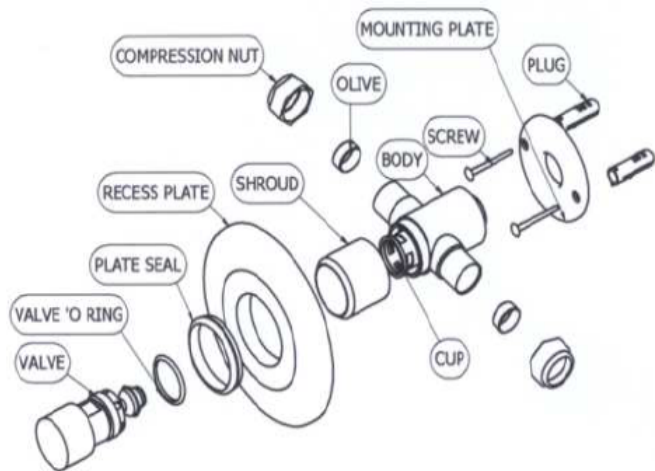


Installation Requirements

Before commencing installation of the new product, ensure that the system has been flushed to remove any debris, which could cause damage to the valves and invalidate the warranty.

Installation

- 1, Prepare the pipe work in the wall cavity so they will insert into the body (minimum of 10mm)
- 2, Prepare hole in the wall for the valve, ensuring the hole does not exceed the 115mm diameter of the recess plate.
- 3, Offer mounting plate to fixing position and mark drill holes ensuring that when the valve is secured the inlet and outlets align with the pipes and the arrow on the body is pointing in the correct direction.
- 4, Once holes have been drilled, insert the wall plugs if required.
- 5, Then secure the mounting plate using the screws provided.
- 6, Then connect olives and compression nuts to seal.
- 7, Before fitting the recess plate, test the function of the valve and check for leaks.
- 8, If all acceptable, fit the seal to the plate and push this over the valve and shroud until flush with the wall. Sealant can be applied around the plate to seal.
- 9, Distance from rear of mounting plate to finished surface can be between 50mm and 62mm.
- 10, Stand off from rear of mounting plate to inlet/outlet of 37mm.



The time delay of approx 20 seconds is not adjustable, but timing may be affected by high water pressure, to overcome sever problems pressure reducing deviced should be fitted (not supplied).

Please keep these instructions for future reference and request of replacement parts

General Safety Information

Please read all of the instructions before installation.

Methven recommends this product is installed by a competent person in compliance with all relevant regional regulations.

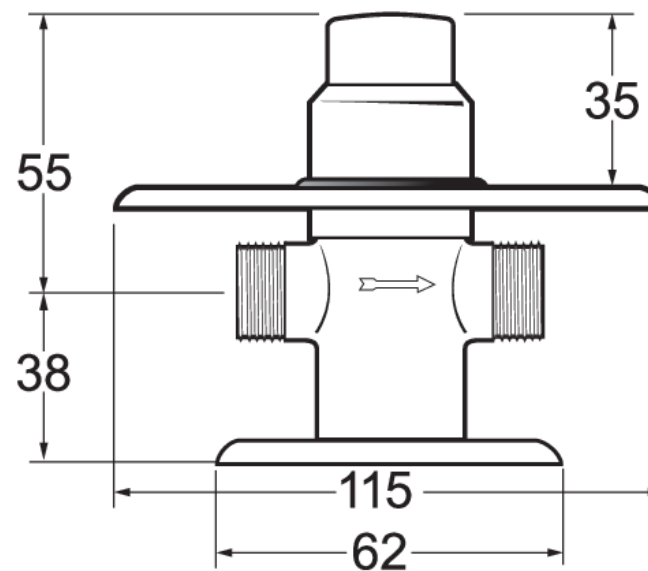
Remove all packaging and check the components for damage before starting installation.

This product **must** not be modified in any way as this will invalidate the guarantee.

It is the responsibility of the installer to ensure a waterproof seal is achieved, after installation all connections must be checked for leaks.

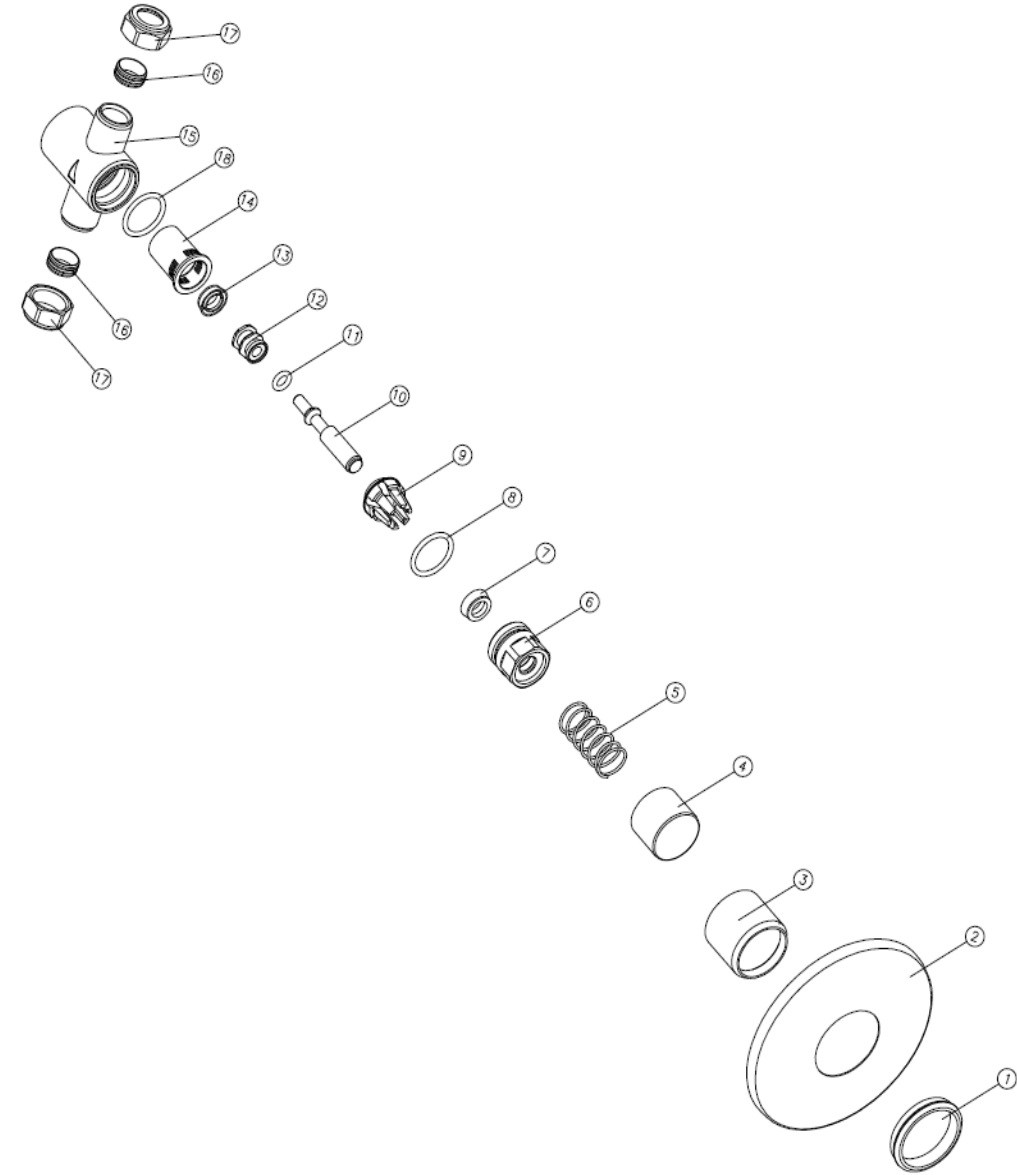
All outlets used primarily for personal hygiene shall deliver water at a safe temperature as per regional regulations.

Line Drawing



Product Breakdown

Check all components are present prior to starting installation.



Part No	Description
1	Sliding Ring
2	Plate
3	Threaded Tank
4	Push Button
5	Spring
6	Head Valve
7	Gasket
8	O-Ring
9	Turret
10	Stem
11	O-Ring
12	Valve
13	Gasket
14	Cup Time
15	Tap Body
16	Ogiva
17	Shell
18	O-Ring