

Kiri Shower Kit

Installation Instructions & Maintenance Guide

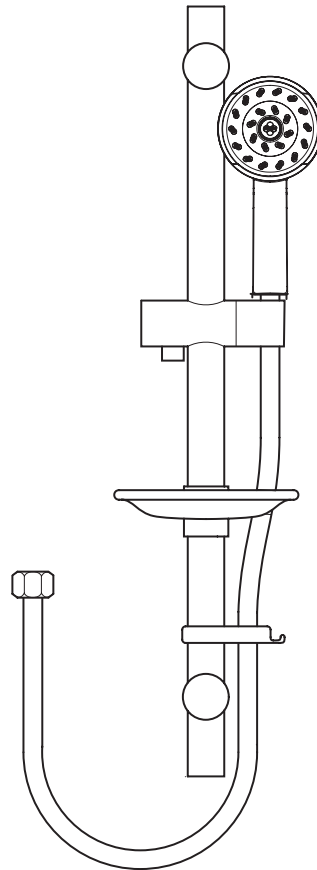
K1MSK

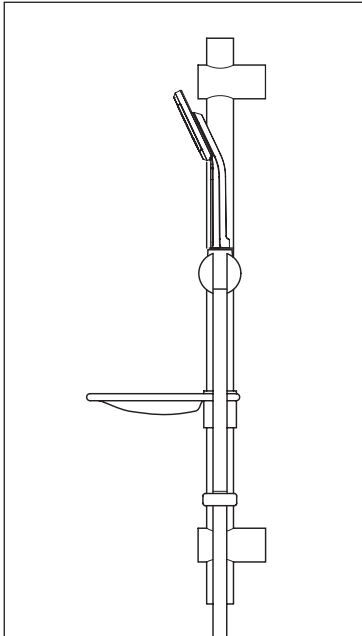
Technical Specifications:

Operating Pressure:

Min 0.3 bar required

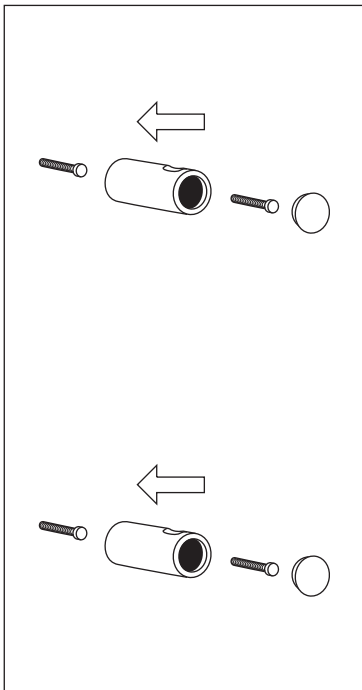
** Regional specific regulations apply.
Please refer to your warranty
statement at www.methven.com*





Select location for kit, ensuring no wiring or pipework in the wall can be damaged, also that when the slider bracket is positioned at the top of the rail, the hose is not over extended.

The location should also ensure that during use, the water flow is directed toward a suitable location, so as not to cause water damage.

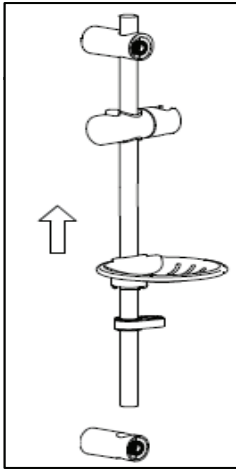


Remove the caps from the end brackets using a sharp blade, taking care not to damage the product.

Mark the required position of the end brackets on the wall (the centre to centre dimension is variable, max 600mm)

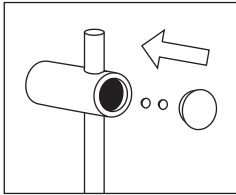
Once marked, drill hole and fit wall plugs.

Using screws provided, fit end brackets in desired location.



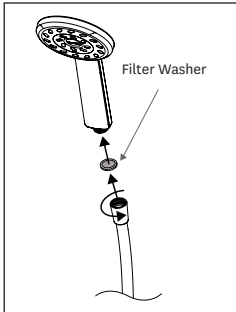
Once both end brackets have been secured, push empty rail through end bracket, until end is part way between end brackets, then install slider, soap dish and hose retainer.

When rail components have been installed, push the rail through the second end bracket.



To secure the rail, place the small black rubber stopper into the threaded hole in the front of the end bracket, then fit the small brass screw and tighten using a screw driver, until tight against the rail, do not overtighten, then fit chrome caps.

Fit hose seals to both ends of shower hose.



Thread the hose through the hole in the hose retainer.

Screw the cone end of the hose to the handset.

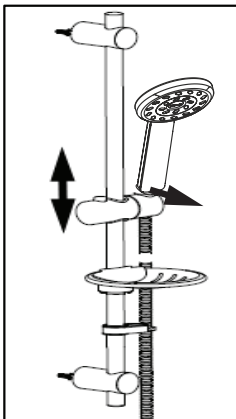
Screw the opposite end of the hose to the mixer.

Locate the hose cone into the slide bracket, ensuring that it is fully inserted.

If the cone is not fully inserted, the handset may fall out during use.

To adjust the angle of the handset, gently move the handset just above the slider.

To move the slider, press the button and push or pull the slider, you must always press the button to move the slider.



Cleaning:

Your product has a high quality finish and should be treated with care to preserve the visible surfaces.

Never use abrasives or abrasive cleaning agents to clean this product. Clean regularly with contamination free warm water and a damp soft cloth. Do not use products containing chlorine bleach or hydrochloric acid as these can damage the product. Always rinse the product thoroughly after cleaning to remove cleaning products that can damage the shower.

Warranty info:

Shower Rail	1 Year
Satinjet® Handset	5 Year

Proof of purchase will be required.

The guarantee does not cover faults or damage caused by incorrect installation and/or maintenance, ordinary wear and tear, water composition etc.

METHVEN UK LIMITED
METHVEN EXPERIENCE CENTRE
3/3A STONE CROSS COURT
YEW TREE WAY
GOLBORNE
WARRINGTON
WA3 3JD
UNITED KINGDOM

TEL: 0800 195 1602
FAX: +44 (0) 8444 068 690
E: sales@uk.methven.com
methven.com