

## Warranty Information

Proof of purchase will be required.

The guarantee does not cover faults or damage caused by incorrect installation and/or maintenance, ordinary wear and tear, water composition, etc.

\*Please see [www.deva-uk-com](http://www.deva-uk-com) for full terms and conditions of warranty

## Cleaning

Your product has a high-quality finish and should be treated with care to preserve the visible surfaces. Never use abrasives or abrasive cleaning agents to clean this product clean regularly with contamination free warm water and a damp soft cloth. Do not use products containing chlorine bleach or hydrochloric acid as these can damage the product.

We have a policy of continuous improvement and reserve the right to change specifications without notice.

METHVEN UK LIMITED METHVEN  
EXPERIENCE CENTRE 3/3A  
STONE CROSS COURT YEW TREE  
WAY  
GOLBORNE  
WARRINGTON  
WA3 3JD  
UNITED KINGDOM

INST-DLT095 & DLV095 -  
26/04/2022

TEL: 0800 195 1602  
FAX: 0844 406 8690  
EMAIL: [sales@uk.methven.com](mailto:sales@uk.methven.com)  
[www.methven.com](http://www.methven.com)

# Lever Action Bib Taps

## DLT095 & DLV095

## Installation Guide

Technical Specification

Operating Pressure

Min: 0.1 Bar

Max: 5.0 Bar

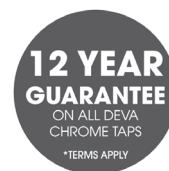
Operating Temperature

Hot: 65°C

Cold: 5°C

Inlet Connections

1/2" BSP



Please read all the instructions before installation.

### General

Methven recommends this product is installed by a competent person in compliance with all relevant regional regulations.

It is recommended that inlet pressures are as balanced as possible to provide optimum performance from your product.

Before commencing installation, ensure that the system has been flushed to remove any debris which can damage the product.

Always turn off or isolate the water supply before commencing installation.

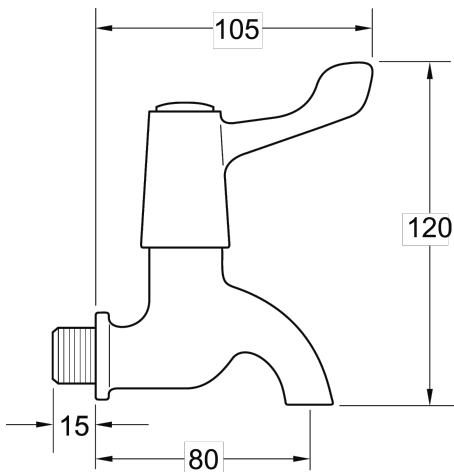
After installation, all connections must be checked for leaks.

All outlets used primarily for personal hygiene shall deliver water at a safe temperature as per regional regulations.

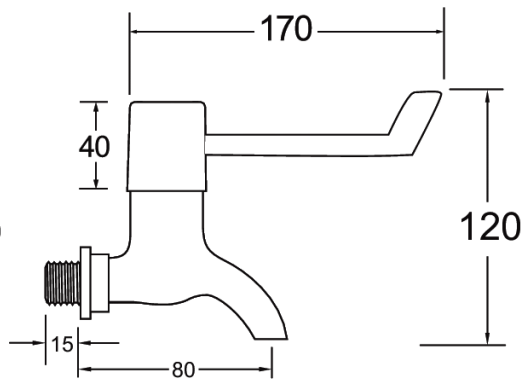
It is the responsibility of the installer to ensure a waterproof seal is achieved.

### Line Drawing

DLT095



DLV095



### Tap Installation Instructions

1) Prepare pipe work in desired location using either a flat face pipe, nut and washer, compression nut and olive or pipe elbow, PTFE may be used.

**NOTE:** No wall fixing is provided with this product, one can be purchased if required, the tap is held into position by the pipes, which should be fixed to give rigidity to the tap.

2) To connect the water supply directly to the tap, either, fit washer into nut and screw nut onto tap tail and tighten or fit nut and olive over pipe end, push pipe into tap tail and screw nut onto tail and tighten.

3) The products can also be fitted to our bib tap pillars and extensions, one of the extensions can be used as a wall fitting.

4) To connect the bib tap to these items simply insert a seal into the pillar or extension and screw the tap on until a seal is formed, again PTFE can be used.

5) If using the wall fitting the wall fitting should be secured to the wall, then the tap inserted and directed downwards (sealed by PTFE), then the supply pipe connected to the compression fitting (nut and olive).

If using PTFE, do not over use on the threads, as too much may affect the connection of the nut to the tap.

THIS PRODUCT MUST BE USED IN SUCH A WAY AS TO ENSURE ANY WATER FLOW IS DIRECTED TOWARD A SUITABLE LOCATION AND CANNOT CAUSE WATER DAMAGE.

