

## Warranty Information

Proof of purchase will be required.

The guarantee does not cover faults or damage caused by incorrect installation and/or maintenance, ordinary wear and tear, water composition, etc.

\*Please see [www.deva.org.uk](http://www.deva.org.uk) for full terms and conditions of warranty

## Cleaning

Your product has a high-quality finish and should be treated with care to preserve the visible surfaces. Never use abrasives or abrasive cleaning agents to clean this product clean regularly with contamination free warm water and a damp soft cloth. Do not use products containing chlorine bleach or hydrochloric acid as these can damage the product.

We have a policy of continuous improvement and reserve the right to change specifications without notice.

METHVEN UK LIMITED  
METHVEN EXPERIENCE CENTRE  
3/3A STONE CROSS COURT  
YEW TREE WAY  
GOLBORNE  
WARRINGTON  
WA3 3JD  
UNITED KINGDOM

INST-SAVV2313-V1

TEL: 0800 195 1602  
FAX: 0844 406 8690  
EMAIL: [sales@uk.methven.com](mailto:sales@uk.methven.com)  
[www.methven.com](http://www.methven.com)

# SAVVI MK2 MINI MONO BASIN MIXER SAVV2313

## Installation Guide

### Technical Specification

#### Operating Pressure

Min: 0.5 Bar

Max: 5.0 Bar

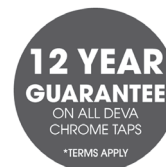
#### Operating Temperature

Hot: 65°C

Cold: 5°C

#### Inlet Connections

1/2" BSP



Please read all of the instructions before installation.

### General

Methven recommends this product is installed by a competent person in compliance with all relevant regional regulations.

It is recommended that inlet pressures are as balanced as possible to provide optimum performance from your product.

Before commencing installation, ensure the the system has been flushed to remove any debris which can damage the product.

Always turn off or isolate the water supply before commencing installation.

After installation all connections must be checked for leaks.

All outlets used primarily for personal hygiene shall deliver water at a safe temperature as per regional regulations.

It is the responsibility of the installer to ensure a waterproof seal is achieved.

### Tap Installation Instructions

1) Fit the rubber O-ring washer (13) into the recess in the bottom of the mixer tap.

2) Insert the fixing bolt (14) into the bottom of the tap, with the slot facing out and using a flat bladed screwdriver tighten these up.

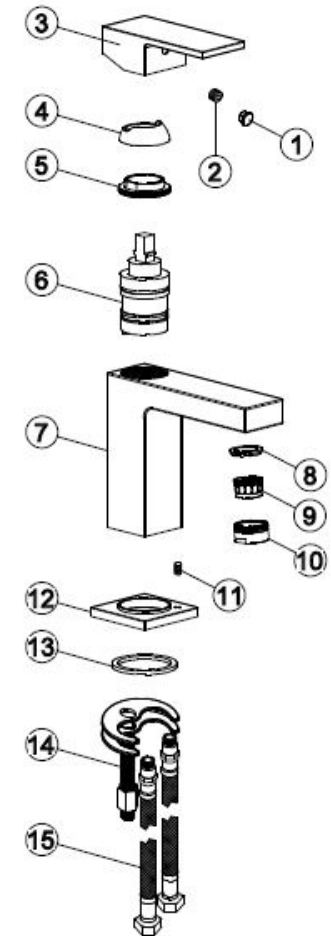
3) Screw the flexible tails (15) into the bottom of the tap, by hand, until tight. Do not use PTFE tape, or similar, on the threads.

4) Feed the tails and fixing bolt into the hole in the basin, ensuring that rubber washer is seated correctly and fully covering the hole.

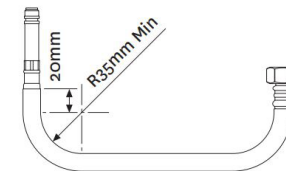
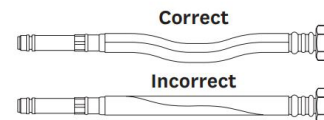
5) From the underside of the basin feed the rubber horseshoe shaped washer over the fixing bolts followed by the metal one. Place the nuts over the fixing bolts and tighten until the tap is fixed on the basin. Do not over-tighten.

6) Connect the hot and cold feeds to the water supply.

7) Reinstall the water supply and test for leaks.



Do not stretch or twist hose



DO NOT crush  
Hose or swaged  
Ends