

Warranty Information

Proof of purchase will be required.

The guarantee does not cover faults or damage caused by incorrect installation and/or maintenance, ordinary wear and tear, water composition, etc.

*Please see www.deva.org.uk for full terms and conditions of warranty

Cleaning

Your product has a high-quality finish and should be treated with care to preserve the visible surfaces. Never use abrasives or abrasive cleaning agents to clean this product clean regularly with contamination free warm water and a damp soft cloth. Do not use products containing chlorine bleach or hydrochloric acid as these can damage the product.

We have a policy of continuous improvement and reserve the right to change specifications without notice.

METHVEN UK LIMITED
METHVEN EXPERIENCE CENTRE
3/3A STONE CROSS COURT
YEW TREE WAY
GOLBORNE
WARRINGTON
WA3 3JD
UNITED KINGDOM

INST-SAVV2108-V1

TEL: 0800 195 1602
FAX: 0844 406 8690
EMAIL: sales@uk.methven.com
www.methven.com

SAVVI MK2 BATH FILLER SAVV2108

Installation Guide

Technical Specification

Operating Pressure

Min: 0.5 Bar

Max: 5.0 Bar

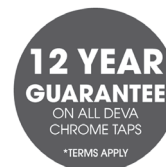
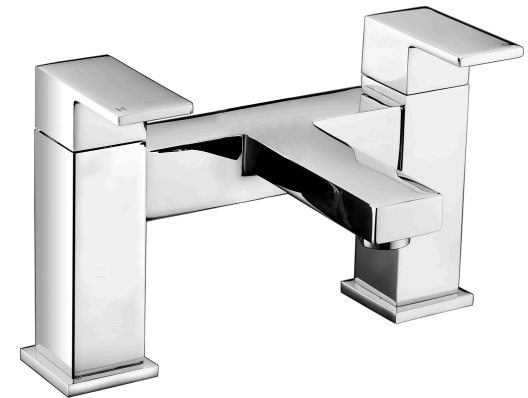
Operating Temperature

Hot: 65°C

Cold: 5°C

Inlet Connections

3/4" BSP



Please read all of the instructions before installation.

General

Methven recommends this product is installed by a competent person in compliance with all relevant regional regulations.

It is recommended that inlet pressures are as balanced as possible to provide optimum performance from your product.

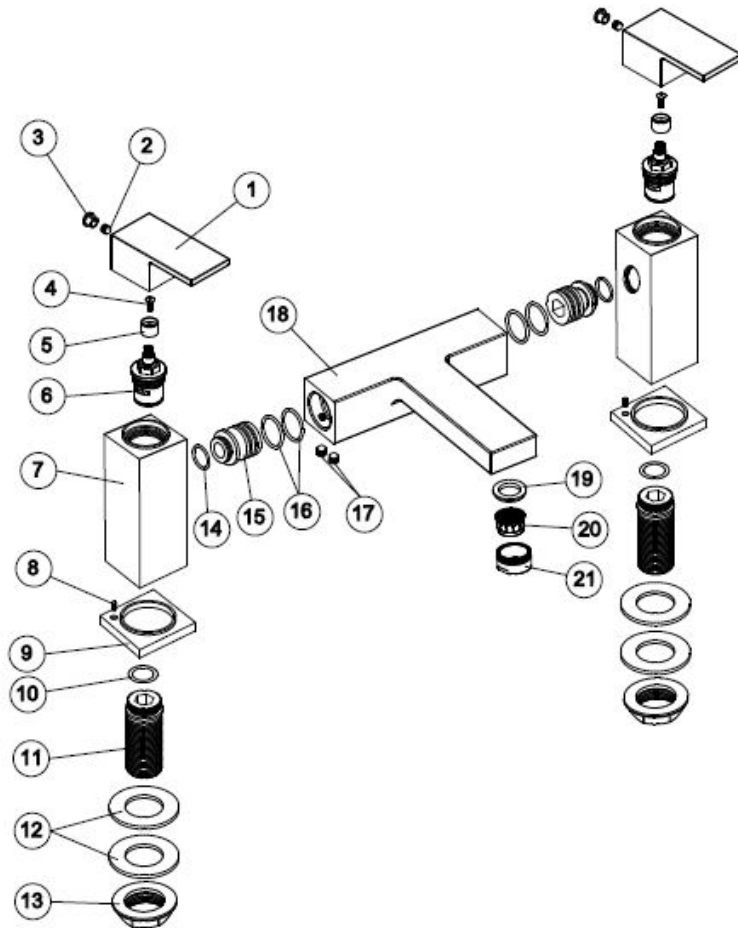
Before commencing installation, ensure the the system has been flushed to remove any debris which can damage the product.

Always turn off or isolate the water supply before commencing installation.

After installation all connections must be checked for leaks.

All outlets used primarily for personal hygiene shall deliver water at a safe temperature as per regional regulations.

It is the responsibility of the installer to ensure a waterproof seal is achieved.



Installation Instructions

1) Remove the back nuts (13) and back nut washer (12) from the threaded tails (11).

2) Push the mixer tails through the holes in the bath, ensuring that the base rings (9) and base ring (10) washers are correctly positioned, fully covering the mounting holes.

3) Place the back nut washer (12) and back nuts (13) back onto the tails, under the bath, and screw up until the tap is secured in position (do not over-tighten). Please note additional sealant can be used if required.

4) Connect the water supply pipes to the tails and tighten, an adequate sealing method should be used to create a watertight seal.

5) Reinstate the water supply and test for leaks.