

## Warranty Information

Proof of purchase will be required.

The guarantee does not cover faults or damage caused by incorrect installation and/or maintenance, ordinary wear and tear, water composition, etc.

\*Please see [www.deva-uk](http://www.deva-uk) for full terms and conditions of warranty

## Cleaning

Your product has a high-quality finish and should be treated with care to preserve the visible surfaces. Never use abrasives or abrasive cleaning agents to clean this product clean regularly with contamination free warm water and a damp soft cloth. Do not use products containing chlorine bleach or hydrochloric acid as these can damage the product.

We have a policy of continuous improvement and reserve the right to change specifications without notice.

METHVEN UK LIMITED  
METHVEN EXPERIENCE CENTRE  
3/3A STONE CROSS COURT  
YEW TREE WAY  
GOLBORNE  
WARRINGTON  
WA3 3JD  
UNITED KINGDOM

TEL: 0800 195 1602  
FAX: 0844 406 8690  
EMAIL: [sales@uk.methven.com](mailto:sales@uk.methven.com)  
[www.deva-uk.com](http://www.deva-uk.com)  
[www.methven.com](http://www.methven.com)

INST343-17.08.2023

# Two Handle Sink Mixer Installation Guide

## Technical Specification

### Working Pressure:

Min: 0.1 Bar

Max: 5.0 Bar

### Operating Temperature:

Hot: 65°C

Cold: 5°C

### Inlet Connections:

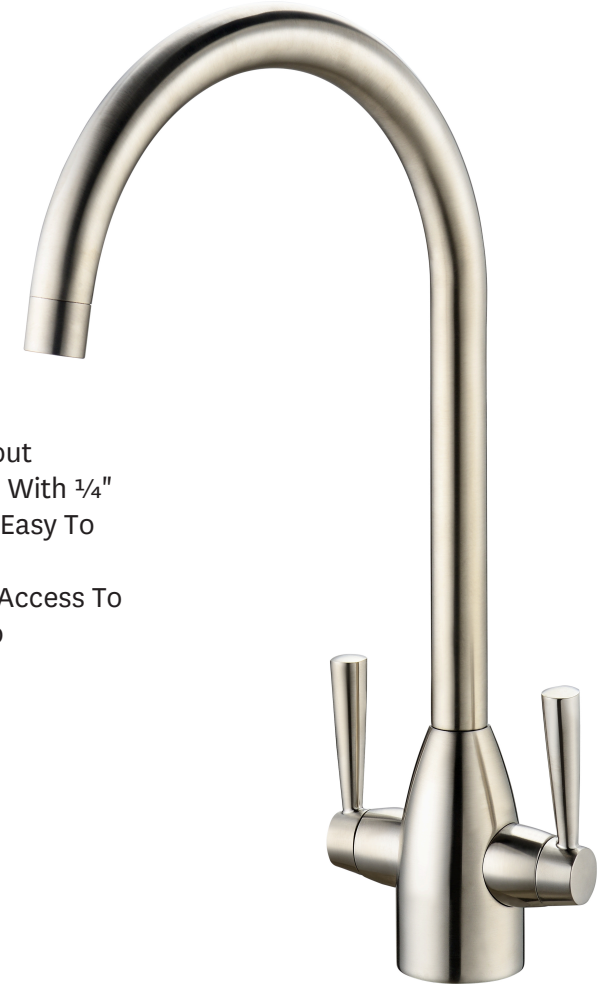
½" BSP

### Features:

- Premium Quality Finishes
- Slimline, Modern Swan Neck Spout
- Cone Shaped Handles Are Fitted With ¼" Turn Ceramic Discs Making Them Easy To Operate
- The High Spout Allows Ultimate Access To Your Sink For All Your Washing Up

### Available in:

Chrome  
Brushed Brass  
Brushed Chrome  
Brushed Copper  
Matte Black



  
**Deva**™ by METHVEN

## Contents

Congratulations on your purchase of your new Deva by Methven Sink Mixer. Our fitting instructions have been created with you in mind to provide you with all the information you require and, if you need any further help, please don't hesitate to contact our customer care team on 0800 195 1602.

General Safety Information	3
Line Drawing	3
Product Breakdown	4
Product Breakdown	4
Installation Requirements	6
Installation	6
Troubleshooting	7
Warranty Information	8
Cleaning	8

## Troubleshooting

Symptom	Cause(s)	Resolution
Mixer not turning on	Mains Water supply turned off	Turn on the mains water supply
	Closed isolation valve	Open isolation valve
No hot water	Cold override	Check if the pressure is balanced. Fit pressure equalising valve.
Low Flow Rate/No Flow	Water supply failure	Water pressure too low, investigate water supply, check plumbing and heating system for any faults
	Partially closed isolation valve	Open isolation valve
	Air lock or partial blockage in the supply pipework or hoses	Flush through pipework to ensure removal of debris and any airlocks.
	Water being drawn off elsewhere causing pressure changes or instantaneous boiler temperature changes. Ensure minimum pressure is being met.	Try not to use other water outlets when using the mixer
Water dripping from the mixer	This is normal for a short time after using the mixer	This is due to residual water tension, the build up of water in the mixer spout.
	If water continues to drip, possible issue with the flow control cartridge.	Please contact our customer care team.
Movement of fitted mixer	Fixing kit loose	Ensure fixing kit nut is sufficiently tightened.
	Extra support may be required depending on the surface the tap is fitted to.	Please contact customer care to purchase a under sink mounting triangle

## Installation Requirements

Before commencing installation of the new product, ensure that the system has been flushed to remove any debris, which could cause damage to the valves and invalidate the warranty.

### Installation

1, Screw the threaded fixing bolt into the bottom of the mixer body  
2, Screw both Flexi Tails into the tap body, ensuring that the O-Ring on the tail is positioned inside the tap body. Hand tighten, do not use PTFE tape or similar to create the seal.

3, Offer the tap up to the hole in the sink

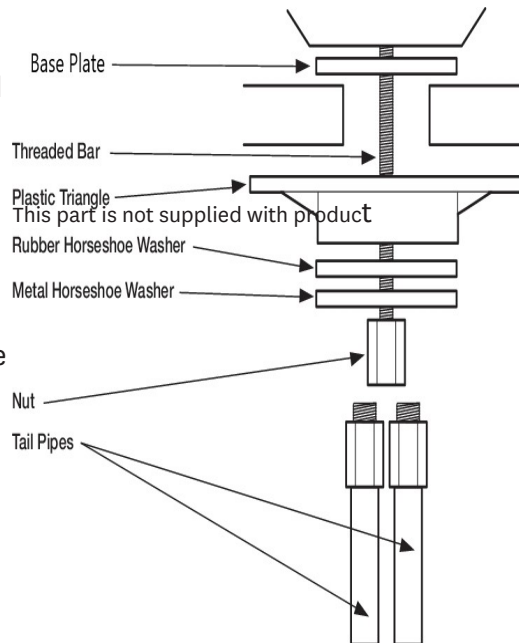
4, On the underside of the sink fit the rubber and metal horseshoe shaped washers onto the threaded fixing bolt and using the nut provided tighten until the tap is secure in the mounting hole.

**Note:** If required a under sink mounting triangle can be purchased, this should be used on thin work surfaces to help distribute the weight of the tap and provide a thicker mounting surface for the fixing kit to clamp to.

*(The Sink Mounted Triangle does **NOT** come with this product)*

5, Connect the male end of the tail to the corresponding hot and cold inlets.

6, Reinstall water supply and test for leaks.



Please keep these instructions for future reference and request of replacement parts

### General Safety Information

Please read all of the instructions before installation.

Methven recommends this product is installed by a competent person in compliance with all relevant regional regulations.

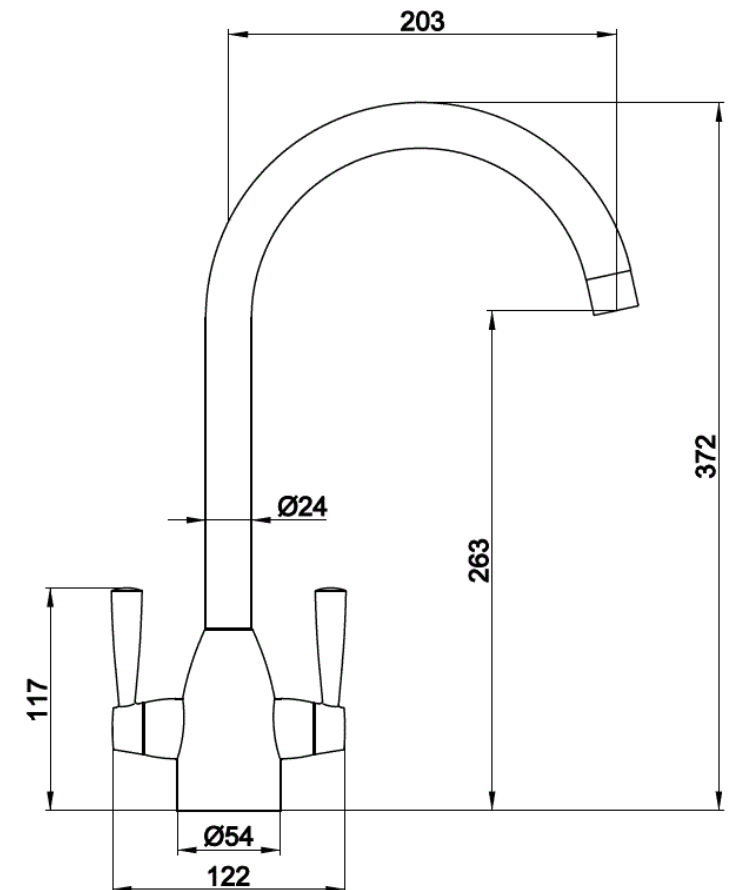
Remove all packaging and check the components for damage before starting installation.

This product **must** not be modified in any way as this will invalidate the guarantee.

It is the responsibility of the installer to ensure a waterproof seal is achieved, after installation all connections must be checked for leaks.

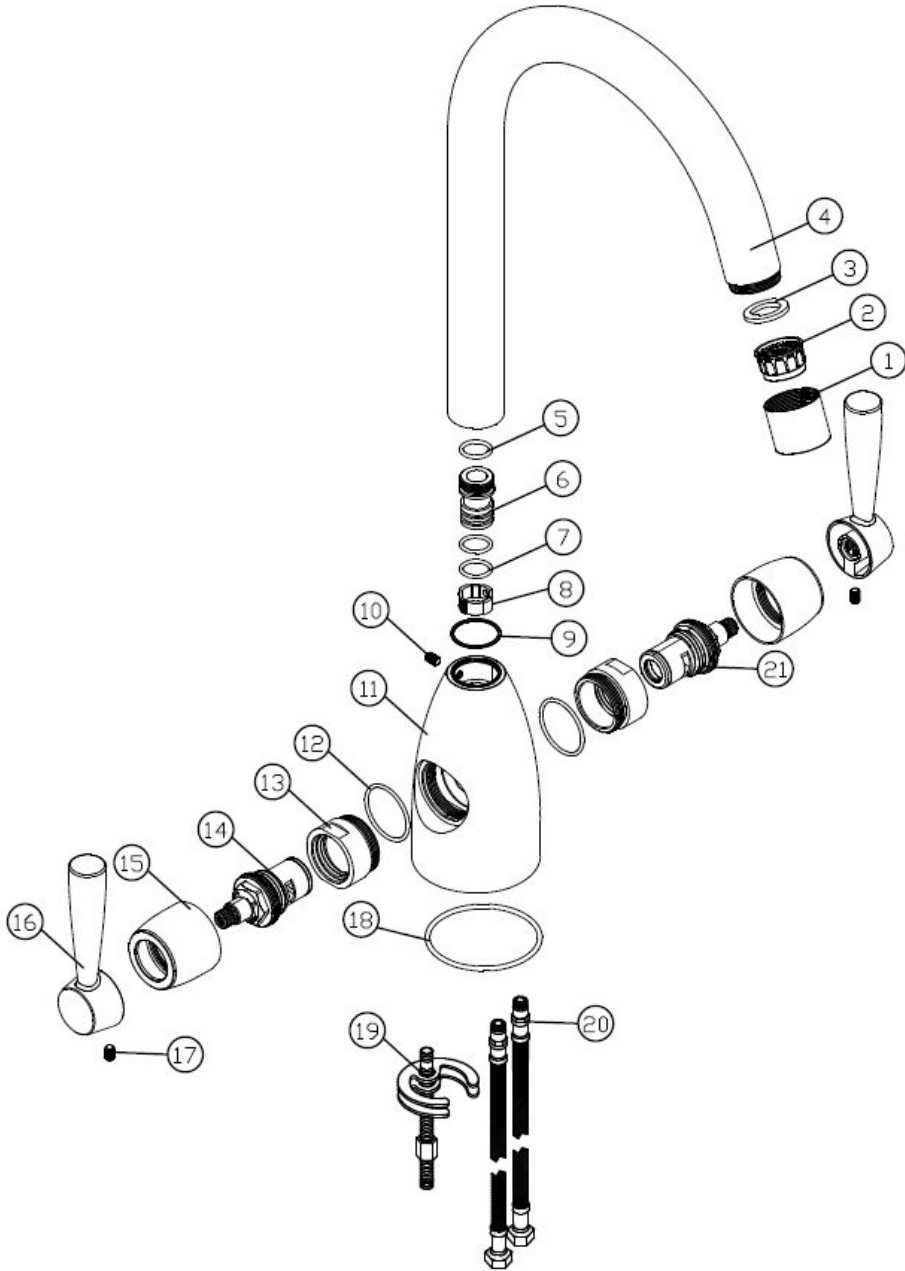
All outlets used primarily for personal hygiene shall deliver water at a safe temperature as per regional regulations.

### Line Drawing



## Product Breakdown

Check All components are present prior to starting installation.



Item Number	Item Description
1	Nozzle
2	Aerator
3	Washer
4	Spout
5	O-Ring
6	Joint
7	O-Ring
8	Washer
9	Washer
10	Screw
11	Tap Body
12	O-Ring
13	Nut
14	Hot Cartridge
15	Cover
16	Handle
17	Screw
18	O-Ring
19	Fixing Kit
20	Flexi Tails
21	Cold Cartridge