

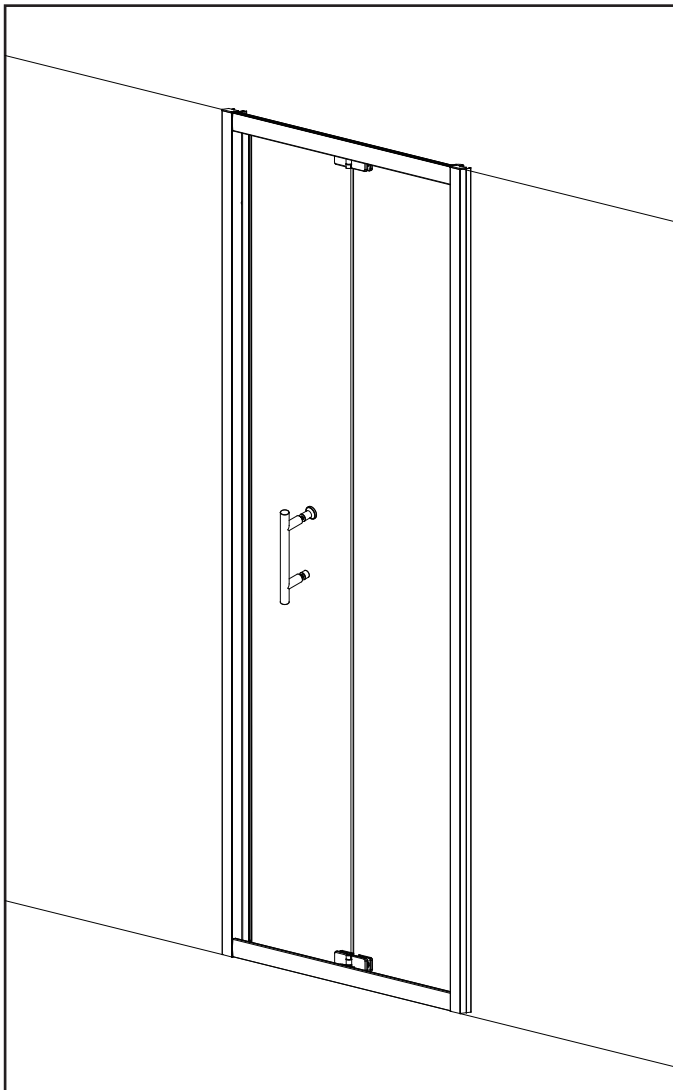
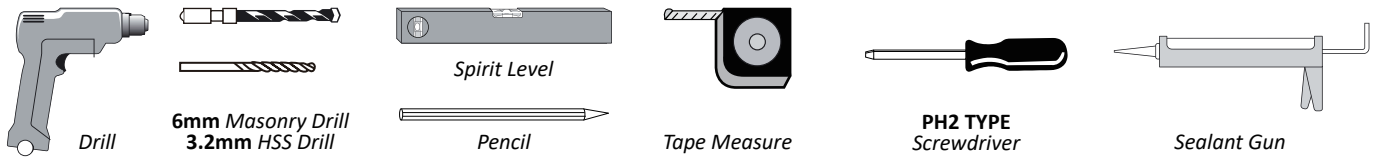
Bi-fold Door

ASSEMBLY GUIDE

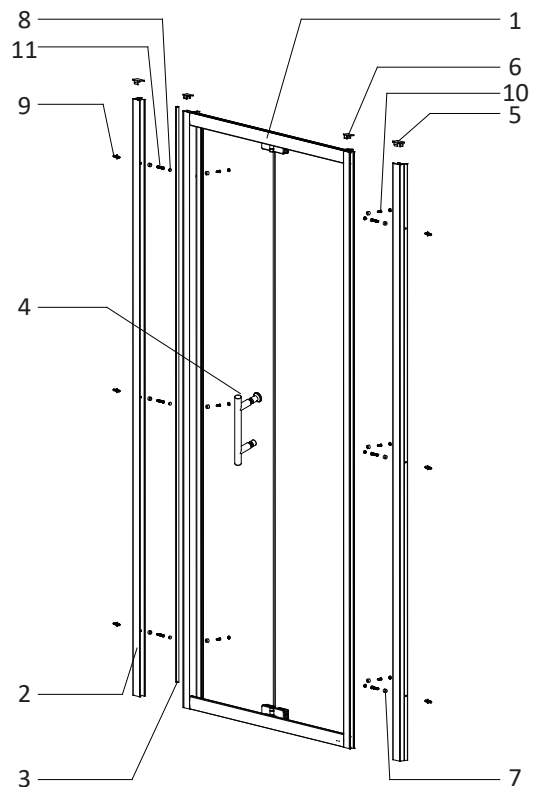
IMPORTANT

- 1.. The cubicle can be constructed either way up, for left or right hand opening.
- 2.. These instructions and list of parts assume that installation is done against solid or tiled walls. Hollow or "Stud - partition" walls will require alternative fixings. Please consult a hardware supplier for the correct type. It may also be necessary to consult your tiling supplier about the correct method for drilling your tiles.
- 3.. Please check this product for damage prior to starting the installation. No claims can be made after the products have been fitted, or after fitting has commenced.
- 4.. This is a 2 person installation.
- 5.. Please note the minimum and maximum adjustment for this product are based on perfectly plumb walls.

Tools Required *Please note hand tools NOT supplied.*

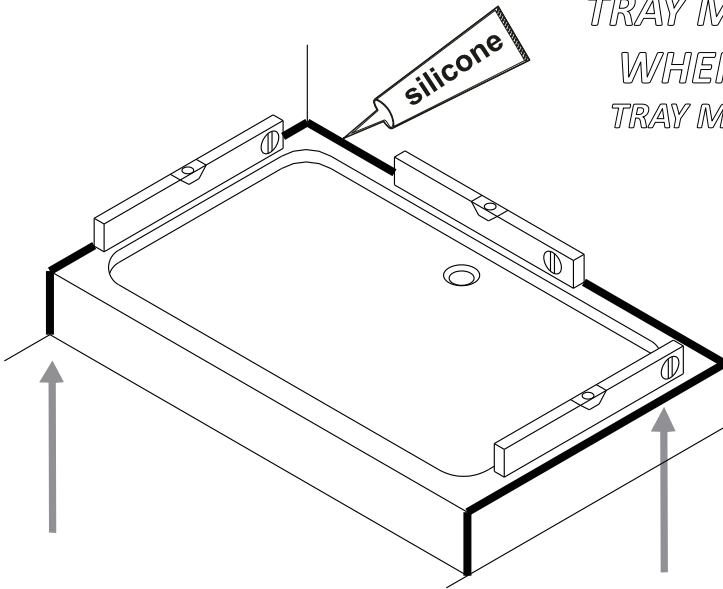


EXPLODED VIEW AND PARTS LIST



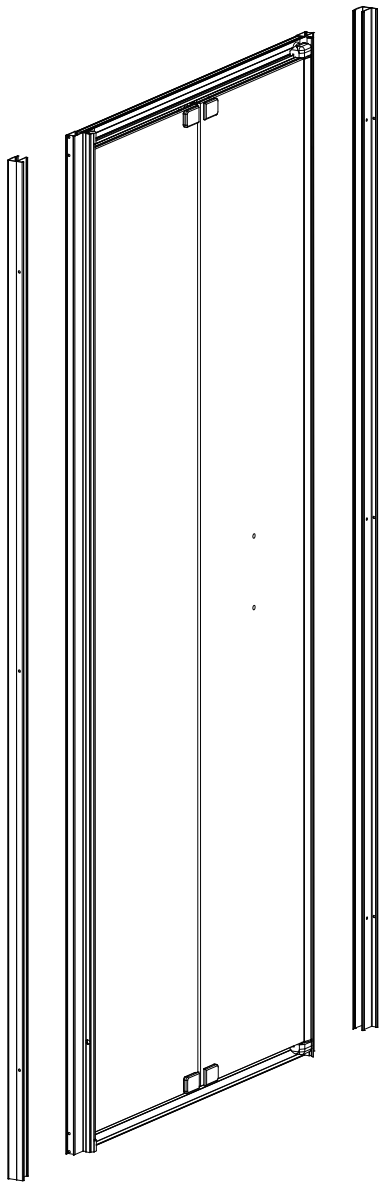
Parts List		
1	Door Panel	1
2	LR8654 Wall channel	2
3	R1021F Bubble Seal	1
4	S1HW24 Handle	1
5	S1PS04-L/R Wall Channel Cap - LH/RH	2
6	S1PS05 Upright Profile Cap	2
7	S1PS07 Screw Cup	12
8	S1PS08 Screw Cap	12
9	SBLTL001 Wall Plug	6
10	SBLTL003 Tapping Screw ST3.5x12	6
11	SBLTL013 Tapping Screw ST4x30	6

*TRAY MUST BE SEALED FULLY AROUND
WHERE THE TRAY MEETS THE WALL
TRAY MUST BE 100% LEVEL IN ALL DIRECTIONS*



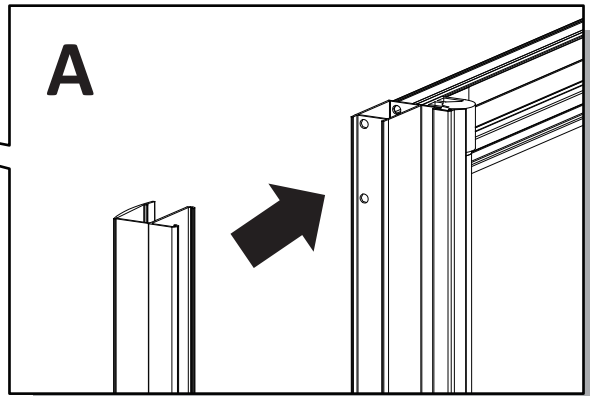
**TRAY MUST BE 100% LEVEL IN ALL DIRECTIONS
TRAY MUST BE SEALED FULLY AROUND WHERE
THE TRAY MEETS THE WALL**

Ensure the shower tray is level in all directions and is properly sealed to the wall. The wall must be tiled down to the top edge of the tray. Do not angle out bottom tile.



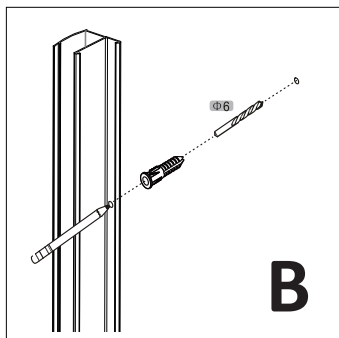
Step A

Position the assembled door panel (with wall profile fully pushed into frame) onto the tray and decide on the step in from the edge of the tray to wall profiles. The wall profiles can be adjusted until the door is positioned correctly on the tray.

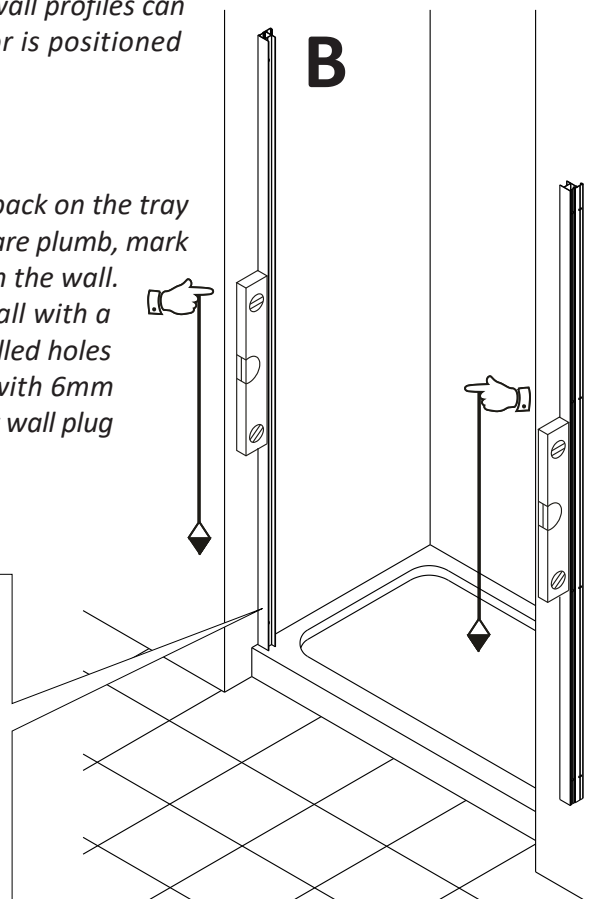


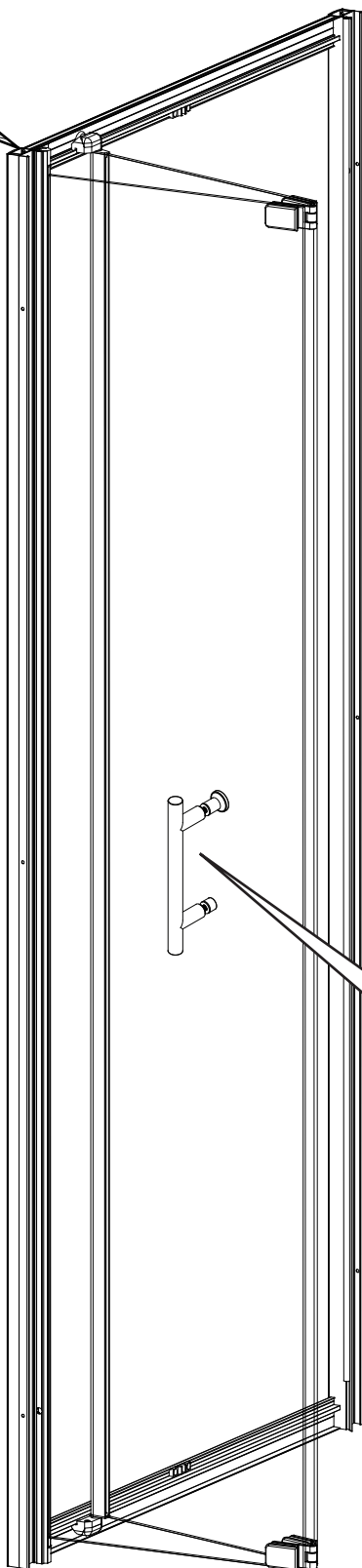
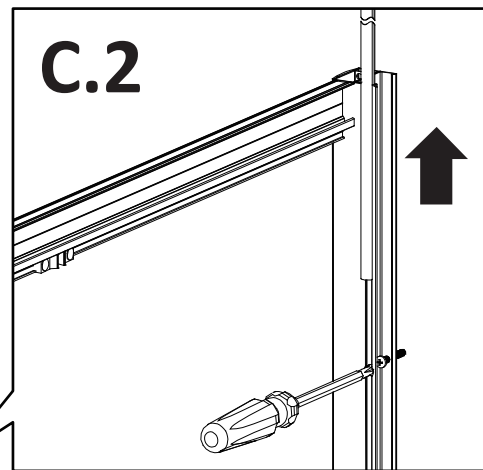
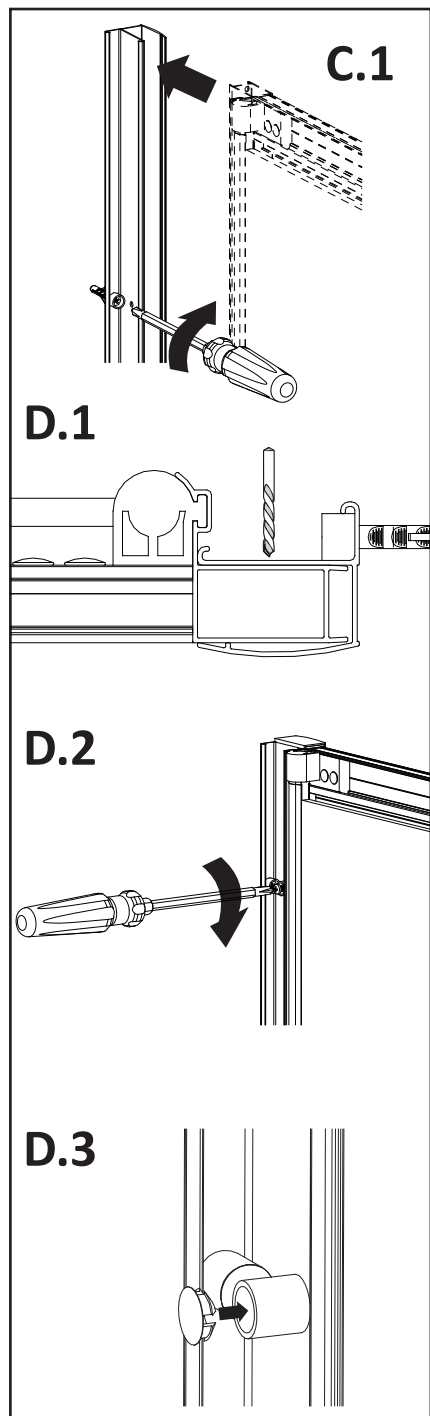
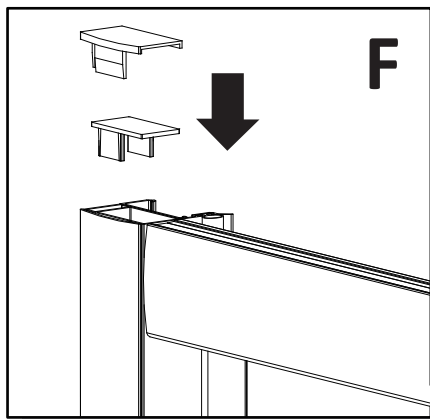
Step B

*Position the wall profiles back on the tray ensuring the wall profiles are plumb, mark the position of the holes in the wall. Do this by marking the wall with a pencil through the pre-drilled holes in the wall profiles. Drill with 6mm masonry drill bit and insert wall plug **SBLTL001**.*



B



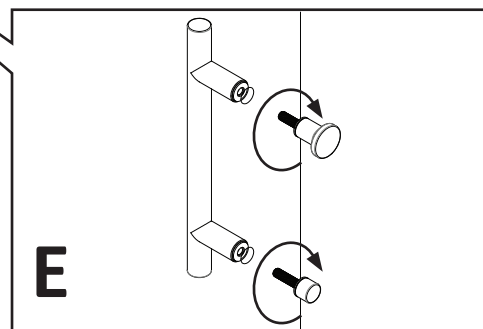


Step C

Fix the wall channel with screw cover caps **S1PS07** and screws **SBLTL013** to wall as **C.1** shown. Then slot the door with the other wall channel into the fixed wall channel. When the door is positioned correctly, take the bubble seal **R1021F** out and fix the wall channel through the pre-drill holes in the vertical profile using the cover caps **S1PS07** and the screws **SBLTL013** as **C.2** shown. Then replace the bubble seal **R1021F**.

Step D

Drill 3 equally spaced holes with 3mm drill bit through the wall channel and frame. Fix the frame to the wall channel with screw cover caps **S1PS07** and screw **SBLTL003**. Then put the screw cover caps **S1PS08** on.

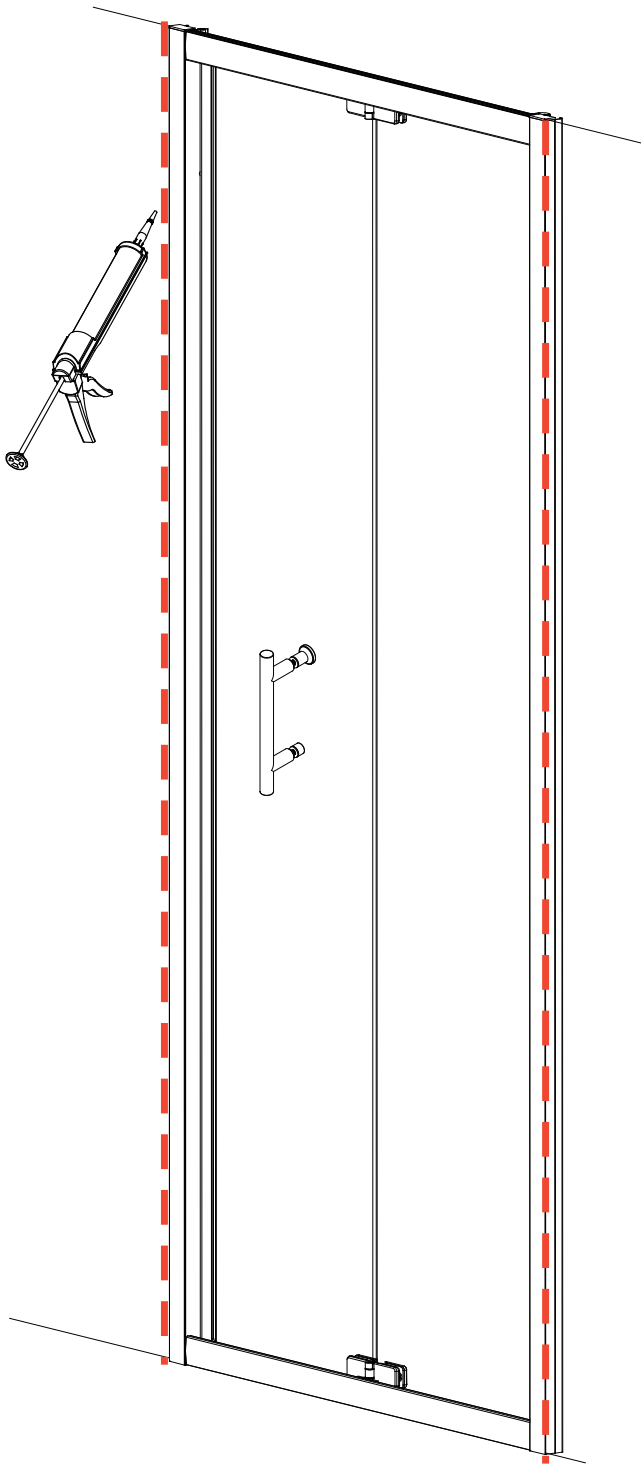


Step E

Assemble the handle **S1WH24** onto glass panel.

Step F

Put the upright profile caps **S1PS05** and wall channel caps **S1PS04-L/R** on.



Step G

Applying Silicone Sealant

When applying silicone sealant follow the red line shown in the diagram on the outside only.

IMPORTANT: Do not apply sealant on inside of the tray where the door meets the tray horizontally.

Sealing Outside

Seal horizontally between the tray and the bottom profile. Also seal vertically around 30mm between the wall channel and wall and also between the wall channel and the vertical profile.

Wash down with clean warm water and a soft clean cloth or sponge. Please do not use bleach, alkaline or acid-based, aggressive or abrasive cleaning products.

24 HRS



**DO NOT USE THE
ENCLOSURE FOR
24 HOURS AFTER
SEALING**

