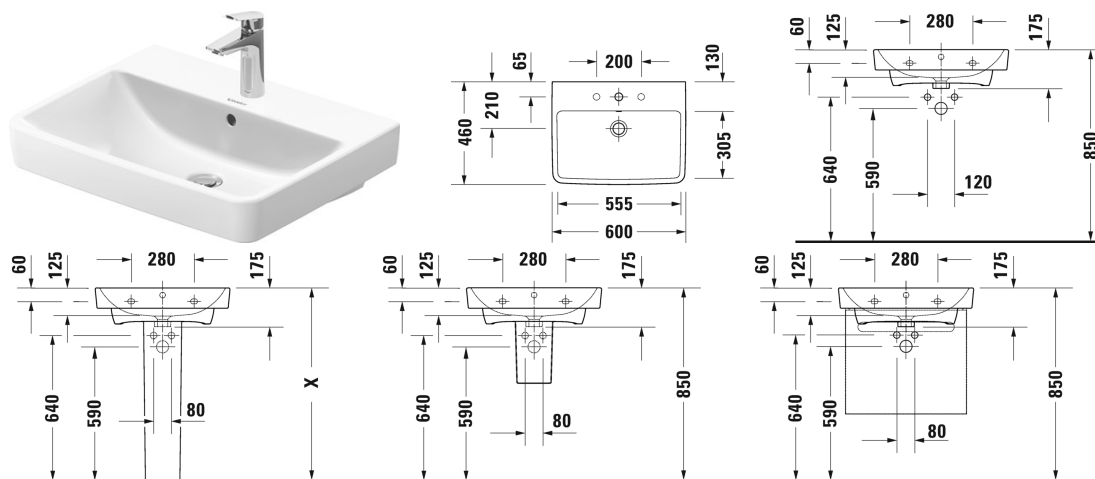


Washbasin, furniture washbasin # 23756000002

< 600 mm >



Washbasin, furniture washbasin	Dimension	Weight	Order number
with overflow, with tap platform, underneath glazed, 600 mm			
Colors			
00 White Alpin			
Variant			
●	600 x 460 mm	18.000 kg	23756000002
Suitable products			
Pedestal for # 237555, 237560, 237565, 237580,			085844
Semi pedestal fixings included, for # 237555, 237560, 237565, 237580,			085845
Vanity unit wall-mounted 1 pull-out compartment, for Duravit No.1 # 237560, 540 x 426 mm	540 x 426 mm		N14281
Vanity unit wall-mounted 1 pull-out compartment, with internal drawer, Internal drawer including cut-out for siphon and siphon cover, for Duravit No.1 # 237560, 540 x 426 mm	540 x 426 mm		N14381
Recommended faucets			
Single lever basin mixer M Ceramic cartridge, Projection 139 mm, Flexible connection hoses 3/8 ", aerator adjustable, Normal spray, chrome, maximum temperature can be adjusted on installation, recommended operating pressure 3 - 5 bar, with pop-up waste set,			B11020001

Single lever basin mixer M Ceramic cartridge, Projection 139 mm, Flexible connection hoses 3/8 ", aerator adjustable, Normal spray, chrome, maximum temperature can be adjusted on installation, recommended operating pressure 3 - 5 bar, without pop-up waste set,	B11020002
Single lever basin mixer M Ceramic cartridge, Projection 109 mm, Flexible connection hoses 3/8 ", aerator adjustable, Normal spray, chrome, maximum temperature can be adjusted on installation, recommended operating pressure 3 - 5 bar, with pop-up waste set,	DE1020001
Single lever basin mixer M Ceramic cartridge, Projection 109 mm, Flexible connection hoses 3/8 ", aerator adjustable, Normal spray, chrome, maximum temperature can be adjusted on installation, recommended operating pressure 3 - 5 bar, without pop-up waste set,	DE1020002
Single lever basin mixer M FreshStart Ceramic cartridge, in centre position cold water, Projection 109 mm, Flexible connection hoses 3/8 ", aerator adjustable, Normal spray, chrome, maximum temperature can be adjusted on installation, recommended operating pressure 3 - 5 bar, with pop-up waste set,	DE1021001
Single lever basin mixer M FreshStart Ceramic cartridge, in centre position cold water, Projection 109 mm, Flexible connection hoses 3/8 ", aerator adjustable, Normal spray, chrome, maximum temperature can be adjusted on installation, recommended operating pressure 3 - 5 bar, without pop-up waste set,	DE1021002
Single lever basin mixer M Ceramic cartridge, projection 106 mm, Flexible connection hoses 3/8 ", Normal spray, flow rate 5,0 l/min (3 bar), connection size DN15, chrome, recommended operating pressure 3 - 5 bar, with pop-up waste set,	N11020001
Single lever basin mixer M Ceramic cartridge, projection 106 mm, Flexible connection hoses 3/8 ", Normal spray, flow rate 5,0 l/min (3 bar), connection size DN15, chrome, recommended operating pressure 3 - 5 bar, without pop-up waste set,	N11020002
Single lever basin mixer M FreshStart Ceramic cartridge, in centre position cold water, projection 106 mm, Flexible connection hoses 3/8 ", Normal spray, flow rate 5,0 l/min (3 bar), connection size DN15, chrome, recommended operating pressure 3 - 5 bar, with pop-up waste set,	N11021001
Single lever basin mixer M FreshStart Ceramic cartridge, in centre position cold water, projection 106 mm, Flexible connection hoses 3/8 ", Normal spray, flow rate 5,0 l/min (3 bar), connection size DN15, chrome, recommended operating pressure 3 - 5 bar, without pop-up waste set,	N11021002
Single lever basin mixer M MinusFlow Ceramic cartridge, projection 106 mm, Flexible connection hoses 3/8 ", Normal spray, flow rate 3,5 l/min (3 bar), connection size DN15, chrome, recommended operating pressure 3 - 5 bar, with pop-up waste set,	N11022001
Single lever basin mixer M MinusFlow Ceramic cartridge, projection 106 mm, Flexible connection hoses 3/8 ", Normal spray, flow rate 3,5 l/min (3 bar), connection size DN15, chrome, recommended operating pressure 3 - 5 bar, without pop-up waste set,	N11022002

Washbasin, furniture washbasin # 23756000002

|< 600 mm >|

All drawings contain the necessary measurements which are subject to standard tolerances. They are stated in mm and are non-binding. Exact measurements, in particular for customised installation scenarios, can only be taken from the finished piece.