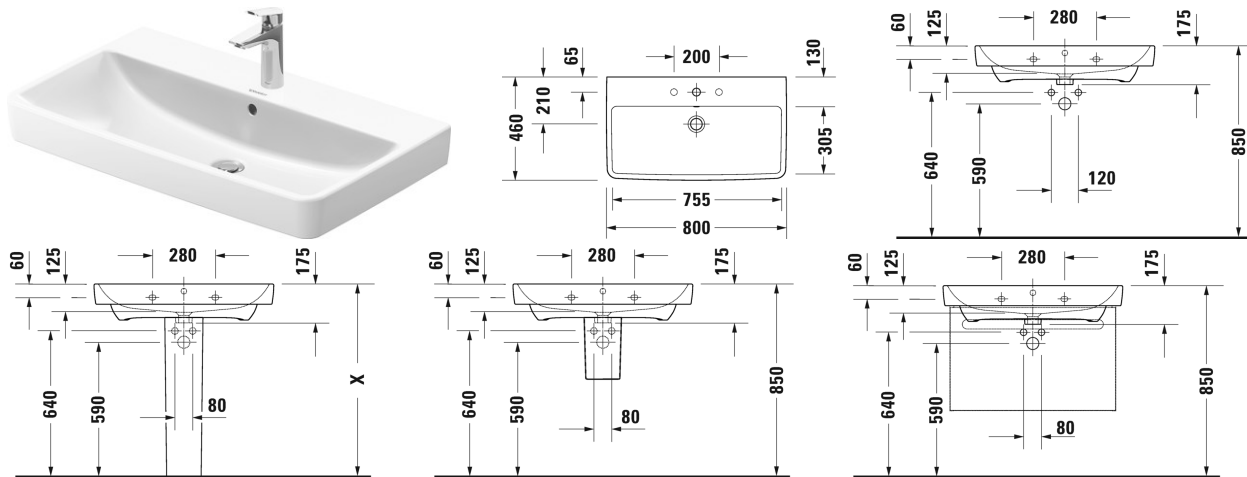


Washbasin, furniture washbasin # 23758000002

| < 800 mm > |



| Washbasin, furniture washbasin | Dimension | Weight | Order number |
|---|--------------|-----------|--------------|
| with overflow, with tap platform, underneath glazed, wall mounted, 800 mm | | | |
| Colors | | | |
| 00 White Alpin | | | |
| Variant | | | |
| ● | 800 x 460 mm | 24.000 kg | 23758000002 |
| Suitable products | | | |
| Pedestal for # 237555, 237560, 237565, 237580, | | | 085844 |
| Semi pedestal fixings included, for # 237555, 237560, 237565, 237580, | | | 085845 |
| Vanity unit wall-mounted 1 pull-out compartment, for Duravit No.1 # 237580, 740 x 426 mm | 740 x 426 mm | | N14283 |
| Vanity unit wall-mounted 1 pull-out compartment, with internal drawer, Internal drawer including cut-out for siphon and siphon cover, for Duravit No.1 # 237580, 740 x 426 mm | 740 x 426 mm | | N14383 |
| Recommended faucets | | | |
| Single lever basin mixer M Ceramic cartridge, Projection 139 mm, Flexible connection hoses 3/8 ", aerator adjustable, Normal spray, chrome, maximum temperature can be adjusted on installation, recommended operating pressure 3 - 5 bar, with pop-up waste set, | | | B11020001 |

| | |
|--|-----------|
| Single lever basin mixer M Ceramic cartridge, Projection 139 mm, Flexible connection hoses 3/8 ", aerator adjustable, Normal spray, chrome, maximum temperature can be adjusted on installation, recommended operating pressure 3 - 5 bar, with pop-up waste set, | B21020001 |
| Single lever basin mixer M Ceramic cartridge, Projection 139 mm, Flexible connection hoses 3/8 ", aerator adjustable, Normal spray, chrome, maximum temperature can be adjusted on installation, recommended operating pressure 3 - 5 bar, without pop-up waste set, | B11020002 |
| Single lever basin mixer M Ceramic cartridge, Projection 139 mm, Flexible connection hoses 3/8 ", aerator adjustable, Normal spray, chrome, maximum temperature can be adjusted on installation, recommended operating pressure 3 - 5 bar, without pop-up waste set, | B21020002 |
| Single lever basin mixer M Ceramic cartridge, Projection 109 mm, Flexible connection hoses 3/8 ", aerator adjustable, Normal spray, chrome, maximum temperature can be adjusted on installation, recommended operating pressure 3 - 5 bar, with pop-up waste set, | DE1020001 |
| Single lever basin mixer M Ceramic cartridge, Projection 109 mm, Flexible connection hoses 3/8 ", aerator adjustable, Normal spray, chrome, maximum temperature can be adjusted on installation, recommended operating pressure 3 - 5 bar, without pop-up waste set, | DE1020002 |
| Single lever basin mixer M FreshStart Ceramic cartridge, in centre position cold water, Projection 109 mm, Flexible connection hoses 3/8 ", aerator adjustable, Normal spray, chrome, maximum temperature can be adjusted on installation, recommended operating pressure 3 - 5 bar, with pop-up waste set, | DE1021001 |
| Single lever basin mixer M FreshStart Ceramic cartridge, in centre position cold water, Projection 109 mm, Flexible connection hoses 3/8 ", aerator adjustable, Normal spray, chrome, maximum temperature can be adjusted on installation, recommended operating pressure 3 - 5 bar, without pop-up waste set, | DE1021002 |
| Single lever basin mixer M Ceramic cartridge, projection 106 mm, Flexible connection hoses 3/8 ", Normal spray, flow rate 5,0 l/min (3 bar), connection size DN15, chrome, recommended operating pressure 3 - 5 bar, with pop-up waste set, | N11020001 |
| Single lever basin mixer M Ceramic cartridge, projection 106 mm, Flexible connection hoses 3/8 ", Normal spray, flow rate 5,0 l/min (3 bar), connection size DN15, chrome, recommended operating pressure 3 - 5 bar, without pop-up waste set, | N11020002 |
| Single lever basin mixer M FreshStart Ceramic cartridge, in centre position cold water, projection 106 mm, Flexible connection hoses 3/8 ", Normal spray, flow rate 5,0 l/min (3 bar), connection size DN15, chrome, recommended operating pressure 3 - 5 bar, with pop-up waste set, | N11021001 |
| Single lever basin mixer M FreshStart Ceramic cartridge, in centre position cold water, projection 106 mm, Flexible connection hoses 3/8 ", Normal spray, flow rate 5,0 l/min (3 bar), connection size DN15, chrome, recommended operating pressure 3 - 5 bar, without pop-up waste set, | N11021002 |

| | |
|---|-----------|
| Single lever basin mixer M MinusFlow Ceramic cartridge, projection 106 mm, Flexible connection hoses 3/8 ",, Normal spray, flow rate 3,5 l/min (3 bar), connection size DN15, chrome, recommended operating pressure 3 - 5 bar, with pop-up waste set, | N11022001 |
| Single lever basin mixer M MinusFlow Ceramic cartridge, projection 106 mm, Flexible connection hoses 3/8 ",, Normal spray, flow rate 3,5 l/min (3 bar), connection size DN15, chrome, recommended operating pressure 3 - 5 bar, without pop-up waste set, | N11022002 |

All drawings contain the necessary measurements which are subject to standard tolerances. They are stated in mm and are non-binding. Exact measurements, in particular for customised installation scenarios, can only be taken from the finished piece.