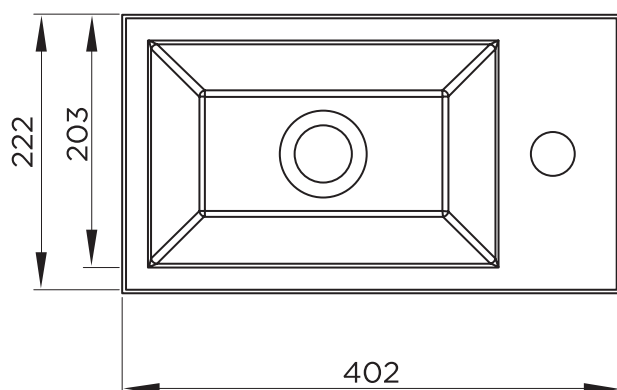


TECHNICAL DATA SHEET

MITO 857 BASIN



Diagrams not to scale
All dimensions in mm tolerance
of +/-5mm

*Requires Vanity Unit 29518/ or 29519/

RANGE	MITO
PRODUCT TYPE	BASIN
CODE	857
OUTER DIMENSIONS (HxWxD)	90 x 402 x 222mm
INTERNAL BASIN DIMENSIONS (HxW)	80 x 275 x 175mm
MATERIAL	SOLID SURFACE
TAP HOLE	ONE TAP HOLE
WASTE	REQUIRES UNSLOTTED WASTE (NOT INCLUDED)
OVERFLOW	NO
PRODUCT WEIGHT	5.79Kg
GUARANTEE	5 YEARS

*Dimensions are subject to change, customers are advised to measure actual product before commencing installation.

**Fixing point dimensions are for guidance only, the positions of wall fixing must be checked when product is received.