

# Ideal Standard i.life B Wall Mounted WC bowl

## ILLUSTRATED

- T4614** Ideal Standard i.life B wall mounted wc bowl with horizontal outlet and rimls+ technology
- T4683** Ideal Standard i.life B toilet seat and cover, slow close
- R0121** Oleas M2 mechanical dual flushplate Ideal Standard - white
- R0153** ProSys 1150mm height, mechanical wall hung WC frame, 120 depth, front actuation

## OPTIONS

- T4682** Ideal Standard i.life B toilet seat and cover
- R0100** ProSys half frame for wall hung WC pans (no cistern)
- R0313** ProSys 1150mm height, pneumatic wall hung WC frame, 120 depth, front actuation
- R0140** ProSys 820mm height, mechanical wall hung WC frame, 150 depth, front or top actuation
- R0312** ProSys 820mm height, pneumatic wall hung wc frame 150 depth, front or top actuation
- R0314** ProSys 1150mm height, freestanding mechanical wall hung WC frame, front actuation
- S4305** Panekta outlet connector to convert horizontal outlet wcs to P trap

## ILLUSTRATED PRODUCT DETAILS





### Weights

- R0121** 0.34 KG
- R0153** 12.20 KG

### Materials

- R0121** Mixed Material
- R0153** Mixed Material

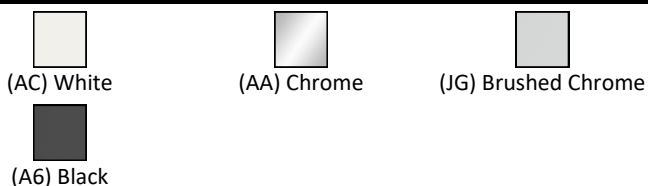
### Finishes

- T4614**  White (01)
- T4683**  White (01)
- R0121**  White (AC)
- R0153**  Neutral / No Finish (67)

### Designer

Palomba Serafini Associati

## FINISH OPTIONS

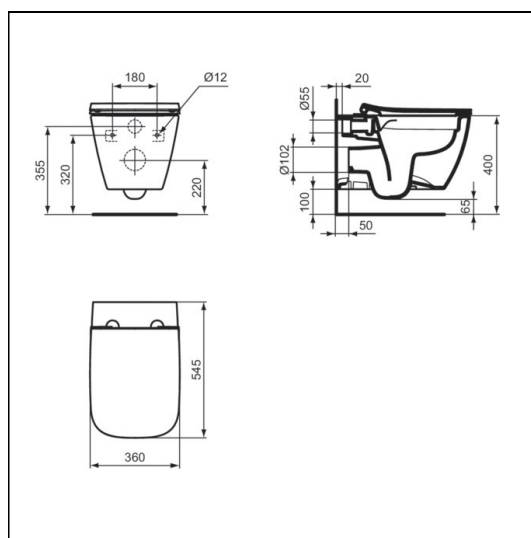


### Standards

WC bowl to BS EN 997 & BS EN 33

### Special Notes

Fix the E0060 support brackets to the floor within the duct and secure the WC with bolts (supplied) and hidden fixing set provided. Screw the bolts to the back wall. Can be used with i.life furniture WC unit. Oleas, Solea,



## ACCREDITATIONS

### R0140(67)



### R0312(67)



## Ideal Standard i.life B Wall Mounted WC bowl

Altes & Symfo are compatible with Prosys cisterns only. Please see flushplate section for full finish/colour options.