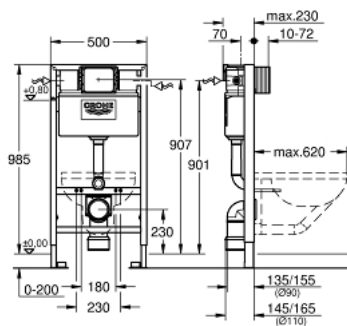


38 947 000 RAPID SL 2-IN-1 SET FOR WC, 1.00 M INSTALLATION HEIGHT

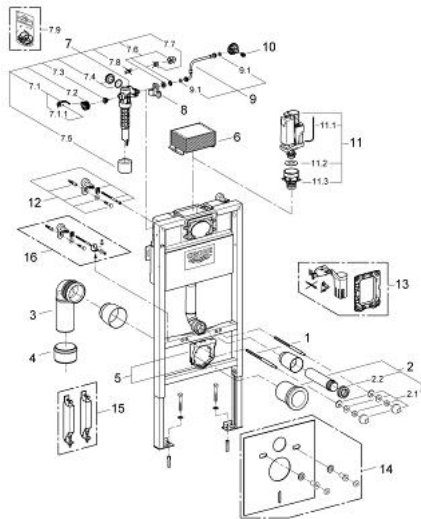


PRODUCT DESCRIPTION

- with flushing cistern 6 - 3 l
- Consisting of:
 - Rapid SL element for WC (38 525 001)
 - Rapid SL front wall brackets (38 558 00M)



38 947 000 RAPID SL 2-IN-1 SET FOR WC, 1.00 M INSTALLATION HEIGHT



SPARE PARTS, December 2012 – now

- 1: Threaded bolt (Order-nr. 4276400M)
 - 2: WC inlet and outlet connecting set (Order-nr. 37311K00)
 - 2.1: Basin fastening (Order-nr. 43511SH0)
 - 2.2: Connector (Order-nr. 37119000)
 - 3: PP-outlet bend Ø 90 mm (Order-nr. 42327000)
 - 4: 4" outlet adaptor for Rapid SL (Order-nr. 42242000)
 - 5: Support for outlet bend (Order-nr. 42243000)
 - 6: inspection shaft for flushing cistern 0.82 m (Order-nr. 42326000)
 - 7: Filling valve (Order-nr. 37095000)
 - 7.1: Lever (Order-nr. 43734000)
 - 7.1.1: Sealing washer (Order-nr. 4377000M)
 - 7.2: Valve head (Order-nr. 43536000)
 - 7.3: Membrane (Order-nr. 4375800M)
 - 7.4: Screw cap (Order-nr. 43735000)
 - 7.5: Valve FLOAT, 5 pcs.. (Order-nr. 4379100M)
 - 7.6: Set of seals (Order-nr. 43722000)*
 - 8: Support device (Order-nr. 42195000)
 - 9: Overflow Sleeve (Order-nr. 43325000)
 - 9.1: O-Ring (Order-nr. 0319100M)
 - 10: Headpart (Order-nr. 42385000)
 - 11: AV1 complete

(Order-nr. 42314000)
 - 11.1: Pneumatic hose (Order-nr. 42319000)
 - 11.2: Sealing washer (Order-nr. 42310000)
 - 11.3: Valve seat for GD2 (Order-nr. 42315000)
 - 12: Front wall brackets (Order-nr. 3855800M)
 - 13: Dual flush valve set (Order-nr. 38796000)*
 - 14: Set for noise protection (Order-nr. 37131000)*
 - 15: Accessory (Order-nr. 38779000)*
 - 16: Xtra wall brackets, flexible placing (Order-nr. 38733000)*
- * Optional accessories