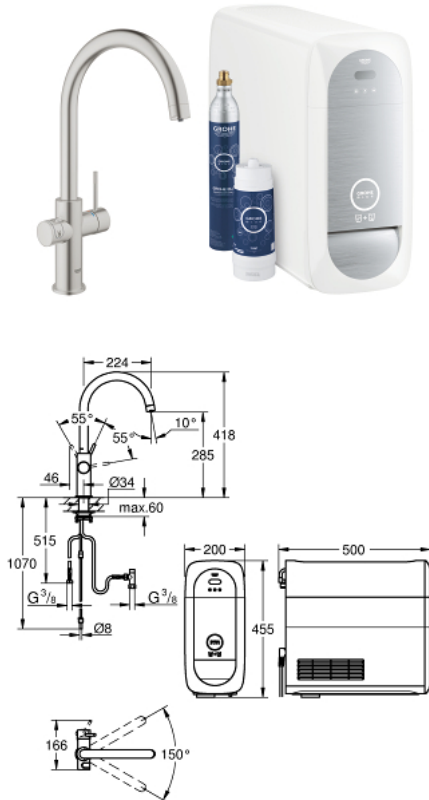


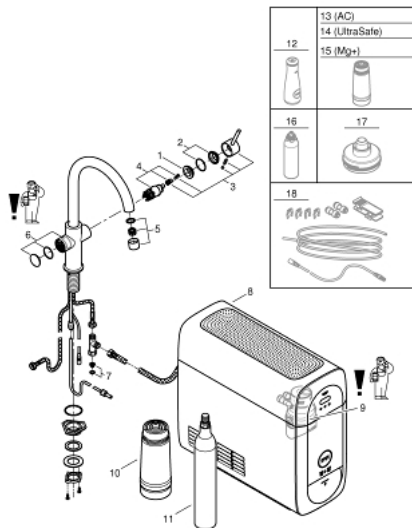
31 455 DC0 GROHE BLUE HOME C-SPOUT



PRODUCT DESCRIPTION

- Colour: supersteel
- Consisting of:
 - GROHE Blue Home single-lever sink mixer with filter function
 - monobloc installation
 - C-spout
 - touch operated for 3 types of filtered and chilled water
 - still, medium, sparkling
 - GROHE Long-Life finish
 - 28 mm ceramic cartridge with GROHE SilkMove
 - swivel tubular spout
 - swivel area 150°
 - separate inner water ways for filtered and non-filtered water
- flexible connection hoses
- GROHE Blue Home cooler
- delivers 3 liters of chilled water per hour
- 180 Watt cooling unit, 230 V, 50 Hz
- type of protection IP 21
- CE approved
- requires ventilation holes in the bottom of the kitchen cabinet
- adjustable for GROHE Blue filter S-Size, M-Size, GROHE Blue activated carbon filter, GROHE Blue Ultrasafe filter and GROHE Blue magnesium+ filter
- GROHE Blue filter S-Size, filter head with flexible water hardness adjustment
- for regions with water hardness of more than 9° dKH
- for regions with water hardness below 9° dKH please order activated carbon filter 40 547 001
- GROHE Blue 425 g CO2 bottle

31 455 DC0 GROHE BLUE HOME C-SPOUT



SPARE PARTS, September 2014 – now

- 1: retaining ring (Spare part-nr. 07419000)
 - 2: Shield for cross handle (Spare part-nr. 46581DC0)
 - 3: Lever (Spare part-nr. 46957DC0)
 - 4: Cartridge (Spare part-nr. 46580000)
 - 5: Flow control (Spare part-nr. 48343DC0)
 - 6: Operating unit (Spare part-nr. 46958DC0)
 - 7: Strainer (Spare part-nr. 47576000)
 - 8: Cooler (Spare part-nr. 40711000)
 - 9: Filter Head (Spare part-nr. 48344000)
 - 10: Filter S-Size (Spare part-nr. 40404001)
 - 11: Starter kit 425 g CO₂ bottles (4 pieces) (Spare part-nr. 40422000)
 - 12: Glass carafe (Spare part-nr. 40405000)*
 - 13: Activated carbon filter (Spare part-nr. 40547001)*
 - 14: Magnesium+ Filter (Spare part-nr. 40691001)*
 - 15: Cleaning cartridge (Spare part-nr. 40434001)*
 - 16: Cleaning cartridge adapter (Spare part-nr. 40694000)*
 - 17: Extension set (Spare part-nr. 40843000)*
- * Optional accessories