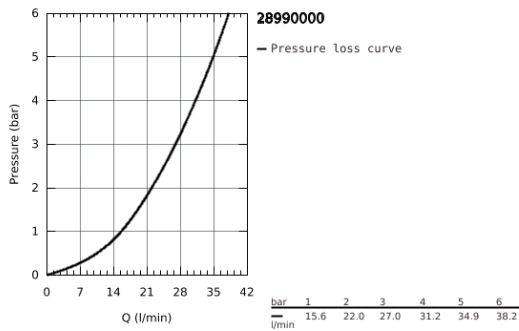
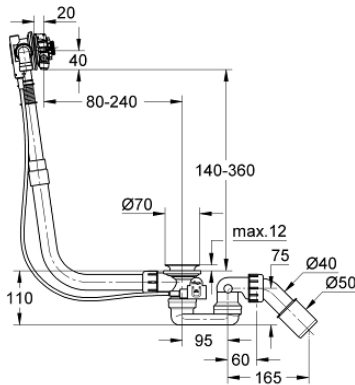


28 990 000 TALENTOFILL INLET-, POP-UP AND WASTE-SYSTEM



PRODUCT DESCRIPTION

- for normal baths
- without finishing trim set
- with bottle trap and 45°-outlet-bend



28 990 000 TALENTOFILL INLET-, POP-UP AND WASTE-SYSTEM

SPARE PARTS, March 2007 – now

1: Inlet part with mousseur (Spare part-nr. 29009000)

