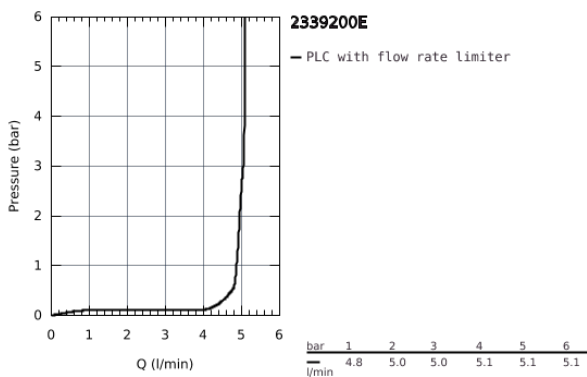
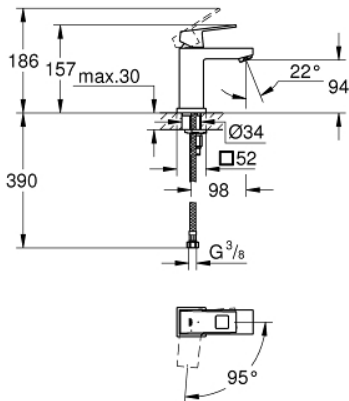


23 392 00E **EUROCUBE BASIN MIXER 1/2"**
S-SIZE

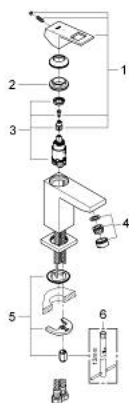


PRODUCT DESCRIPTION

- Colour: Chrome
 - monobloc installation
 - metal lever
 - GROHE SilkMove Energy Saving 28 mm ceramic cartridge with energy saving function via cold start
 - with temperature limiter
 - GROHE Long-Life finish
 - GROHE Water Saving mousseur 5.7 l/min
 - GROHE FastFixation Plus rapid installation system
 - smooth body
-
- flexible connection hoses



23 392 00E **EUROCUBE BASIN MIXER 1/2"**
S-SIZE



SPARE PARTS, December 2012 – now

- 1: Lever (Spare part-nr. 46866000)
- 2: retaining ring (Spare part-nr. 46715000)
- 3: Cartridge (Spare part-nr. 46580000)
- 4: Flow straightener (Spare part-nr. 64450000)
- 5: Shank mounting kit (Spare part-nr. 46645000)
- 6: Mounting wrench (Spare part-nr. 19017000)*

* Optional accessories