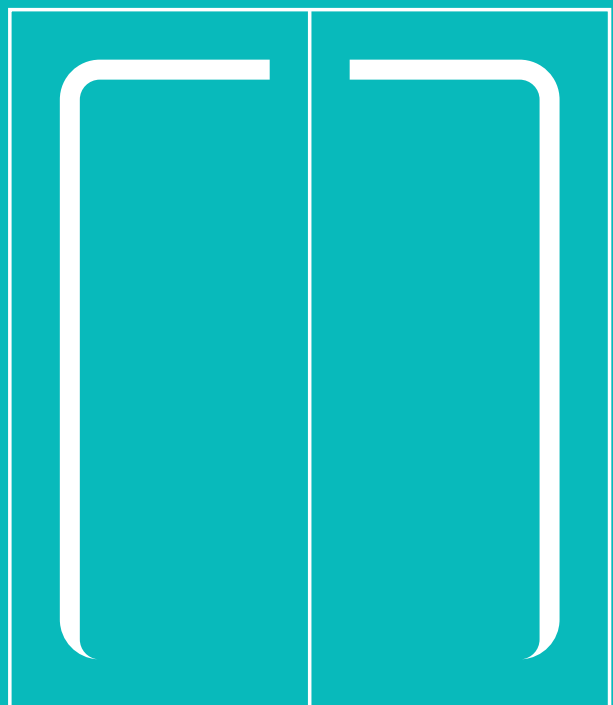
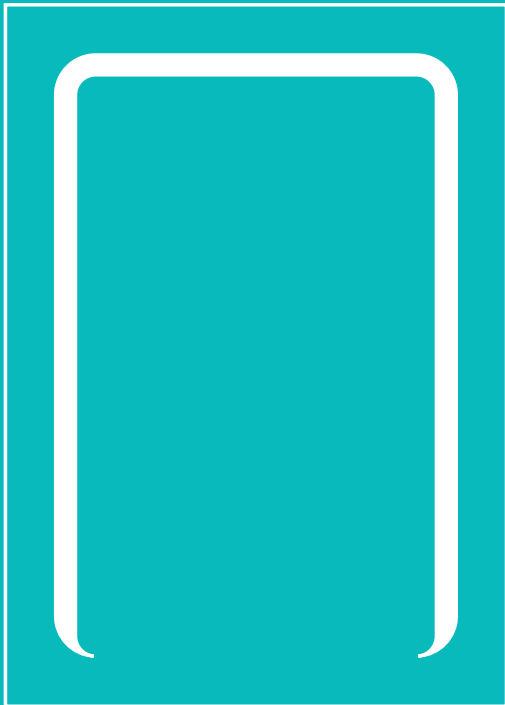


HiB

MAKING
BATHROOMS
BEAUTIFUL

**Technical Drawing &
FAQ Data Sheets**

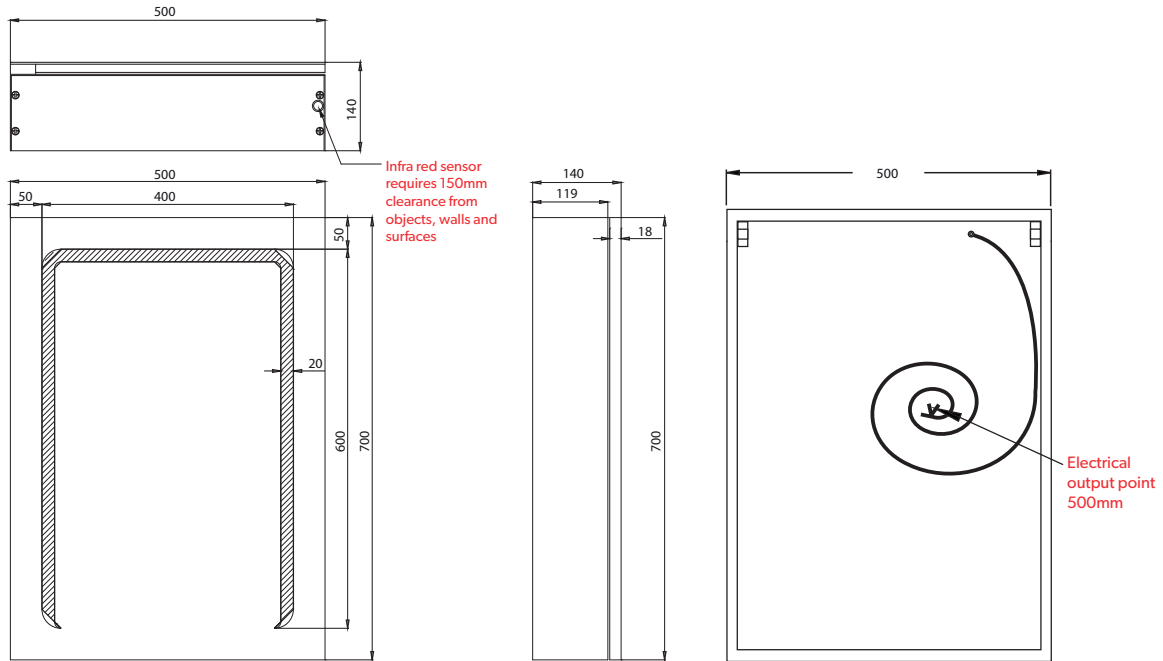


**Stratus 50
Stratus 60**

HiB recommend you receive the product before commencing with installation as all sizes and measurements are approximate.
 HiB try and ensure all measurements are as accurate as possible.
 In the interest of continuous product development, HiB reserves the right to alter specification as necessary. E & OE.

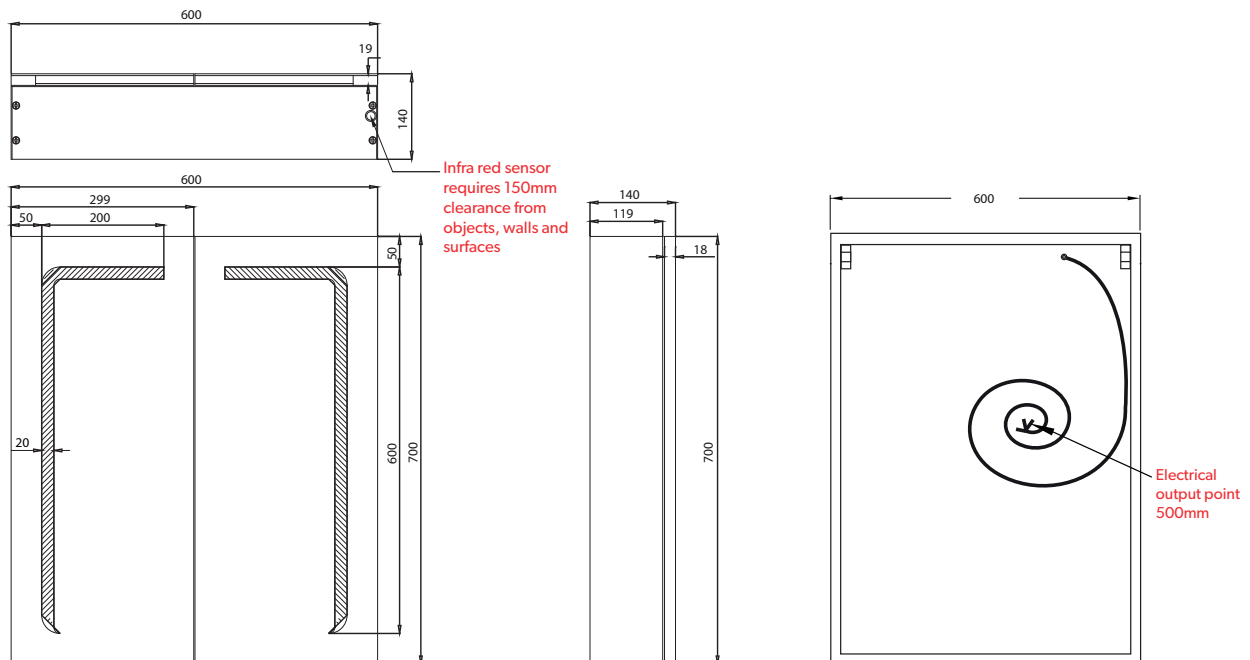
Stratus 50

Art no. 46800



Stratus 60

Art no. 46900



Electrical Safety Information


HiB recommends that all electrical bathroom products should only be fitted by a suitably qualified, Part P registered electrician in accordance with current IEE regulations.

Ensure mains power supply is switched off before starting installation.

Before drilling, ensure there are no hidden cables or pipes in the wall.

Stratus

50 & 60

		Version No. 05.04.17
	Product	Stratus 50 & Stratus 60
	Art. No.	Stratus 50:46800 & Stratus 60: 46900
	Product Description	Single/Double door cabinet with LED illumination and heated pad.

Question	Answer
Nett weight (kg)	Stratus 50: 11.85kg / Stratus 60: 14.5kg
Light Source	LED
Light Source Average Lifespan	Average: 20,000 hr
Total Rated Wattage (W)	Stratus 50: 38.6w / Stratus 60: 46.4w
Lumens (Lm)	Stratus 50: 885 lm / Stratus 60: 870 lm
Kelvins (k)	Stratus 50 & 60: 6400k
Is the cabinet dimmable?	No
Energy Rating	Class A
Is the heated pad only on when the cabinet is illuminated?	Yes
Does the cabinet require an earth connection?	Yes
Can I bypass the sensor so the cabinet comes on with the main room	Yes
Is it cool white or warm white illumination?	Only cool white illumination
What IP rating is the mirror?	All Stratus cabinet are IP44 rated
How long is the warranty?	5 years from date of purchase on silvering coating on mirror 2 years from date of purchase on electrical components in the mirror

Electrical Safety Information

HiB recommends that all electrical bathroom products should only be fitted by a suitably qualified, Part P registered electrician in accordance with current IEE regulations.

Ensure mains power supply is switched off before starting installation.

Before drilling, ensure there are no hidden cables or pipes in the wall.

HiB recommend you receive the product before commencing with installation as all sizes and measurements are approximate.

HiB try and ensure all measurements are as accurate as possible.

In the interest of continuous product development, HiB reserves the right to alter specification as necessary. E & OE.

T: +44 (0)20 8441 0352 F: +44 (0)208441 0219 E: sales@hib.co.uk W: hib.co.uk

HiB Ltd. Building 3, North London Business Park, Oakleigh Road South, New Southgate, London. N11 1GN