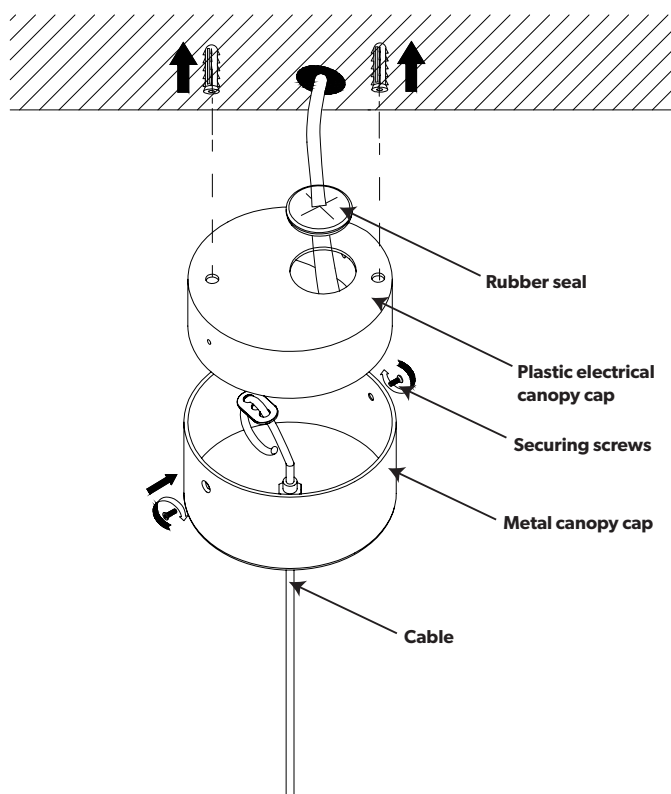




**This product is IP44 - suitable for installation in zones:  
2 & Outside Zone**

All installations must comply with guidelines which are based on a zonal concept. The diagram above illustrates this concept and must be followed to ensure the safe installation of electrical appliances in the bathroom. These regulations apply to domestic installations only. Installations must be made in accordance with the current IEE wiring regulations and relevant building regulations. **HiB recommends that all electrical bathroom products should only be fitted by a suitably qualified, Part P registered electrician.**

**Pendant Mounting Diagram (Fig. B)**



## LED Pendant Lighting

Peak Art No. 0750 Summit Art No. 0760 Rise Art No. 0770

Thank you for purchasing this HiB product.

Please read through these instructions carefully and refer back to them during installation to ensure that your product is fitted safely and that it retains its high quality finish.

Please retain this leaflet for future reference.

Before installation, ensure the domestic electrical mains supply to which the luminaire is to be connected is turned off. Before drilling, ensure that there are no hidden cables or pipes in the ceiling.

**PLEASE TAKE CARE WITH THE GLASS SHADE WHEN INSTALLING**

### Installation

1. Ensure the domestic electrical mains supply to which the ceiling light is being connected is turned off.
2. Position the pendant in a suitable location (according to the zonal diagram, Fig. A), ensuring that the domestic electrical mains supply is within reach of the electrical entry point of the product.
3. Using the plastic electrical canopy cap, carefully mark the position of the light using a soft pencil and mark the mounting points according to Fig. B. **Please ensure that all marked mounting points accurately match up with the fixing points on the pendant light.**
4. Before drilling, ensure there are no hidden cables or pipes behind the mounting points. Using a suitable drill bit, drill holes in the marked positions to a suitable depth.
5. Insert wall plugs or suitable fixings level with the surface of the ceiling. *NB. For plasterboard, specialist fixings should be purchased, available from any DIY or hardware store.*
6. Locate and feed mains supply through the rubber seal and line up the plastic electrical canopy cap with marked fixing points and screw into place.
7. Connect the domestic mains supply to the terminal block according to the wiring diagram in Fig. G.
8. Once wired, fit metal canopy over plastic canopy ensuring wires are secure.
9. Using the two screws tightly secure the metal canopy cap to the plastic electrical canopy cap.
10. Switch domestic electrical mains supply back on.

### Care Instructions

Do not use abrasives or solvents when cleaning this product.

Wipe off all water spillages as soon as possible using a soft, damp cloth.

### Operation Instructions

This product is non-dimmable.

### Aftercare Service

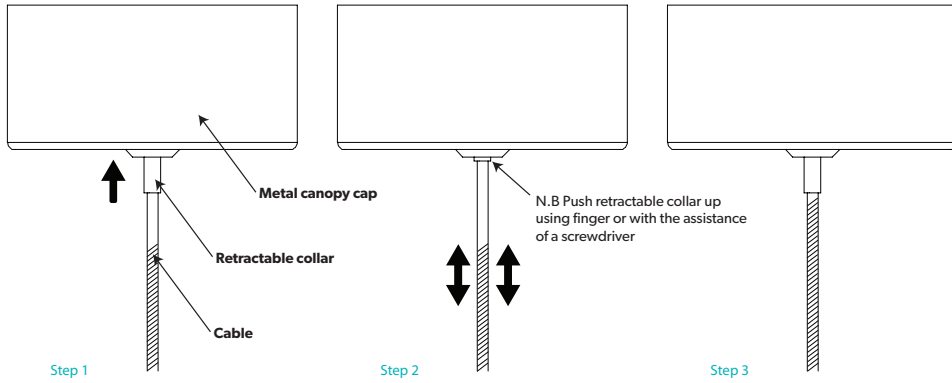
In the unlikely event that this product should fail, please contact HiB Customer Services, details shown below.

### Lamp Replacement

Rise and Peak are fixed non replacement LEDs

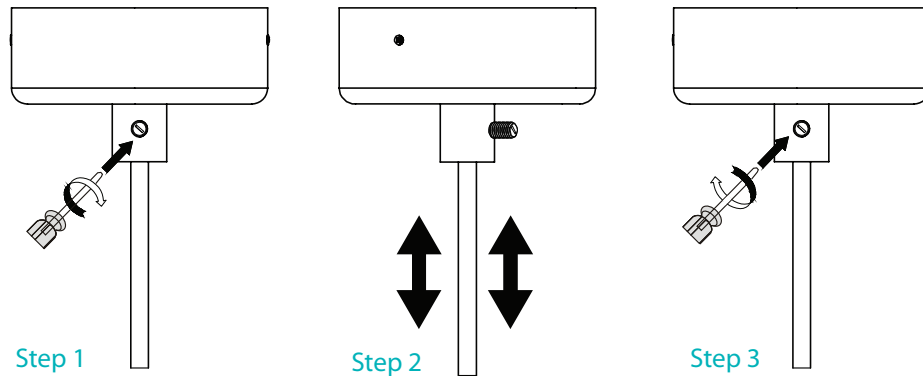
Summit is suitable for use with any LED E27 connector fitting lamp.

### Rise & Peak cable adjustment (Fig. C)



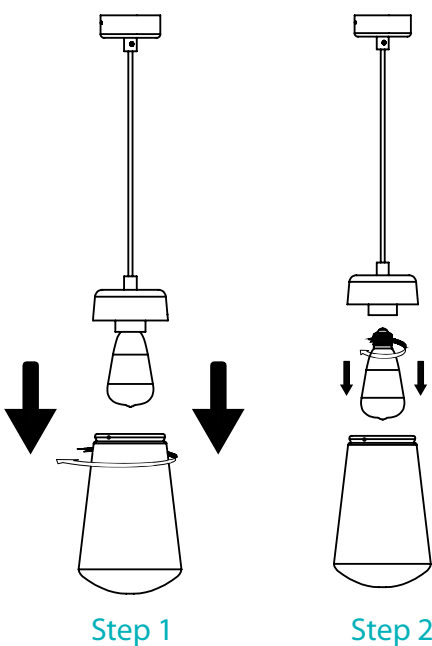
1. To shorten the cable, pinch the cable near the top of the canopy and push up into the canopy head until desired length is achieved.
2. To lengthen the cable, push the retractable collar up into the canopy head and pull the cable down to increase the length - see step 1 & 2.
3. Release the retractable collar and the cable will be clamped in place - see step 3.

### Summit cable adjustment (Fig. D)



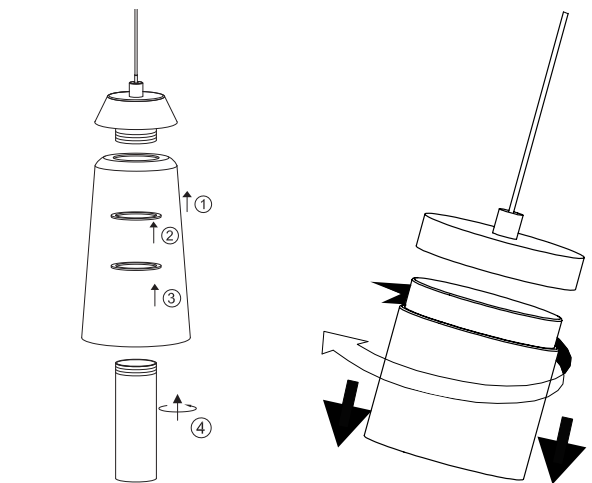
1. To adjust the cable length, unscrew the rubber grub screw using a screwdriver - see step 1
2. To lengthen the cable, pull the cable down softly to increase the length. To shorten the length of the cable, push the cable up into the canopy - see step 2.
3. Once the length of the cable is achieved, tighten the grub screw with the screwdriver - see step 3.

### Summit Lamp Replacement (Fig. E)



1. To remove the glass shade, twist the glass shade anti-clockwise so it becomes loose from the connector cap - see step 1.
2. To remove the lamp, twist anti-clockwise until loose - see step 2.
3. To insert a lamp twist clockwise until tight.
4. Return the glass shade back onto the connector cap by twisting the glass shade clockwise until tight.

### Rise & Peak Glass shade removal (Fig. F)



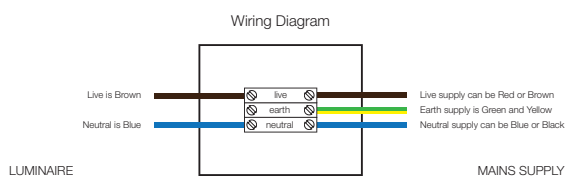
#### Rise

Place the glass shade ① in place and insert part ② & ③. Insert glass stem ④ and twist till tight. **Please take care not to over tighten the glass stem.**

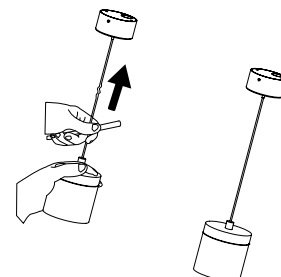
#### Peak

Hold the shade cap and twist the glass shade anti-clockwise until its loose.

### Wiring Diagram (Fig. G)



### Cable straighten (Fig. H)



1. To straighten the cable on the pendant lights, take a smooth non-sharp object (like a pen or pencil) and firmly pull up from the base of the cable to the top.



#### WEEE compliance

Must not be mixed with general household waste

T: +44 (0)20 8441 0352 F: +44 (0)20 8441 0219 E: sales@hib.co.uk [hib.co.uk](http://hib.co.uk)

Building 3, North London Business Park, Oakleigh Road South, New Southgate, London. N11 1GN

©HIB Copyright: No part of this document may be reprinted or duplicated without HIB consent. All sizes and measurements are approximate, but we do try and make sure they are as accurate as possible. In the interest of continuous product development, HIB reserves the right to alter specifications as necessary. E & OE.