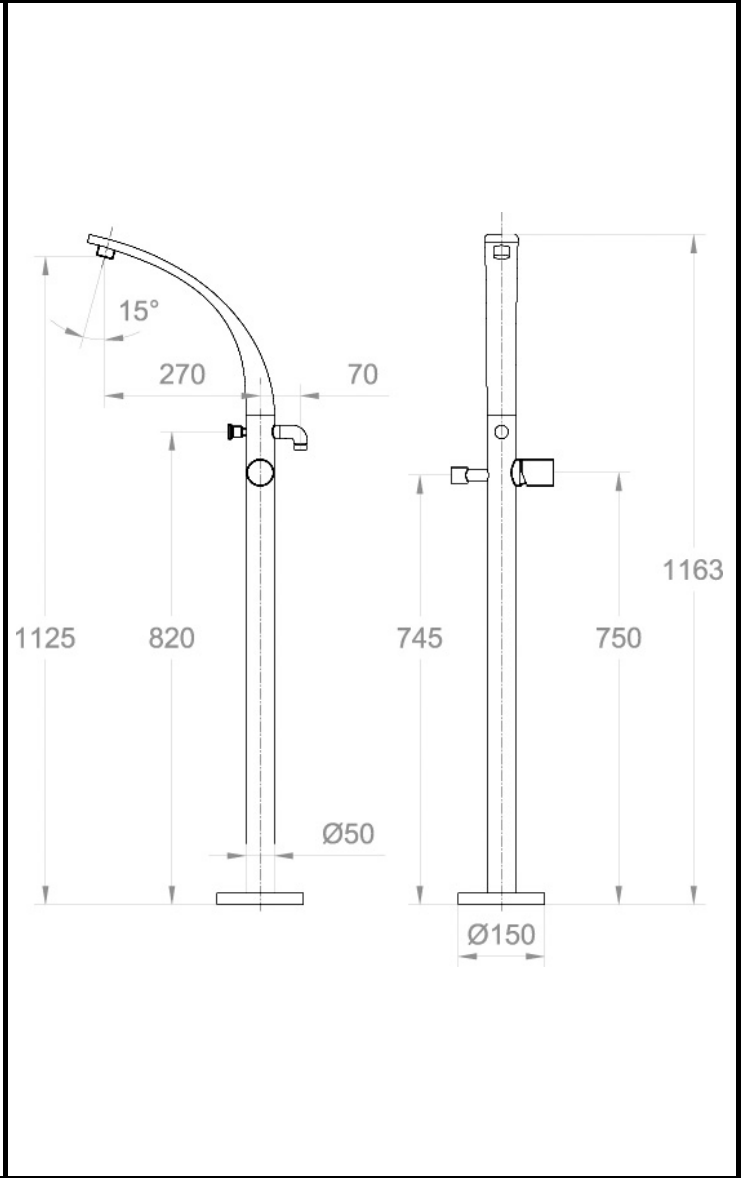


CUSTOMER DATA SHEET - BRASSWARE

SALES CODE: TFR342

DESCRIPTION: Freestanding Bath Shower Mixer



PRODUCT DIMENSIONS

Height (mm)	Width (mm)	Depth (mm)	Length (mm)	Nett Wgt Kg
1125	150	270		8.99

PACKAGING DIMENSIONS

Height (mm)	Width (mm)	Depth (mm)	Gross Wgt Kg
135	415	1070	8.99

PACKAGING DATA

Box Colour	White Cardboard Box		
Box Qty	1	Label Colour	White Label
Label Size	100 x 50	Label Qty	2

OUTER BOX DIMENSIONS (If Applicable)

Height (mm)	Width (mm)	Depth (mm)	Length (mm)	Gross Wgt Kg
280	121	240		9
Barcode	5055369021345			

PRODUCT DETAILS

Country of Origin	China		
Fitting Instruction	Yes		
Product Material	Brass/ABS		
Control Type	Manual		
Waste Included	Waste Not Included		
WRAS Approval	No	Approval No.	N/A
Operating Pressure (bar)	0.5		
Valve/Cartridge Type	Single Lever Cartridge		

Colour/Finish	Chrome									
Mount Type	Floor Standing									
Waste Type	Not Applicable									
Flow Rates (Litres Per Min)	0.1 bar	N/A	0.5 bar	6	1 bar	10	2 bar	16	3 bar	20
Pipe Size	15 mm (1/2" Bsp)									
Pipe Centres	N/A									