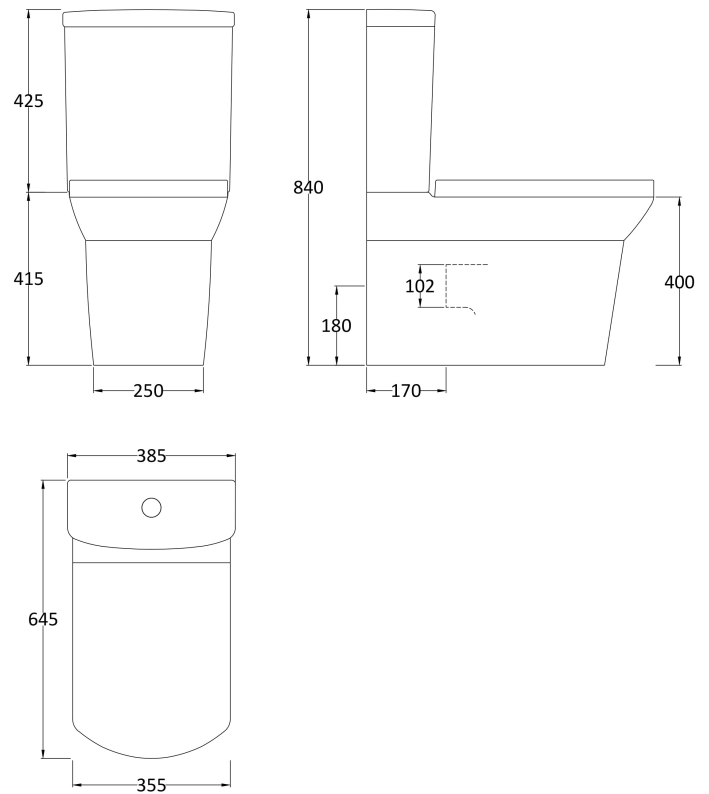


## CUSTOMER DATA SHEET

SALES CODE: Ccl008

DESCRIPTION: Maya Flush To Wall Wc And Seat



### PACKAGING DETAILS

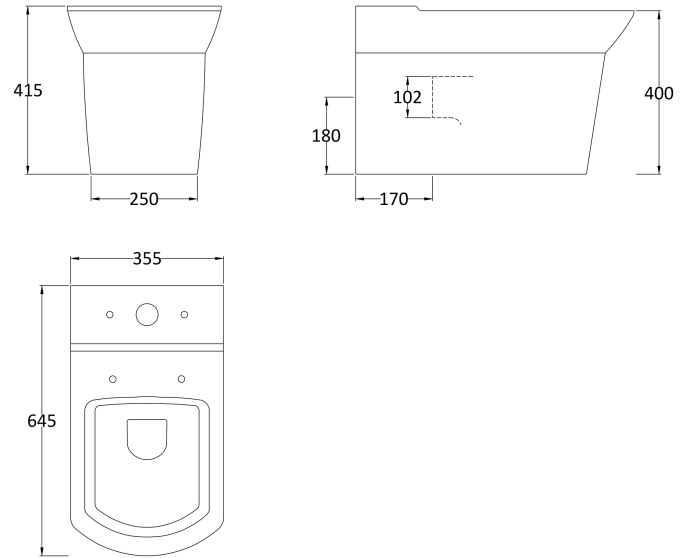
Barcode

5055275895689

## CUSTOMER DATA SHEET - CERAMICS

SALES CODE: NCT300

DESCRIPTION: Flush To Wall Cc Pan



### PRODUCT DIMENSIONS

Height (mm)	Width (mm)	Depth (mm)	Nett Wgt Kg
400	350	660	35.2

### PACKAGING DIMENSIONS

Height (mm)	Width (mm)	Depth (mm)	Gross Wgt Kg
430	380	700	35.2

### PACKAGING DATA

Box Colour	Brown Cardboard Box		
Box Qty	1	Label Colour	White Label
Label Size	100 x 50	Label Qty	2

### OUTER BOX DIMENSIONS (If Applicable)

Height (mm)	Width (mm)	Depth (mm)	Gross Wgt Kg
Barcode	5055369063314		

### PRODUCT DETAILS

Country of Origin	Turkey
Fitting Instruction	No

Certification	CE	Yes	WRAS	N/A	WRAS Number	N/A
Product Material	Vitreous China					

### PANS/BIDETS

Trap Style	P Trap	Includes Seat	No
------------	--------	---------------	----

### CISTERNS

Fittings	Not Applicable	Operating Type	Not Applicable
Lever Type	Not Applicable		

### SEAT

Type	D-Shape	Function	Not Applicable
Material	Not Applicable		
Hinge Type	Top Fix	Hinge Material	Not Applicable

### BASINS

Tap Hole	Not Applicable	Chain Stay Hole	Not Applicable
Template	Not Applicable	Waste Type Req'd	Not Applicable
Overflow Incl.	Not Applicable	Overflow Cover	Not Applicable
Inner Bowl Depth	N/A		

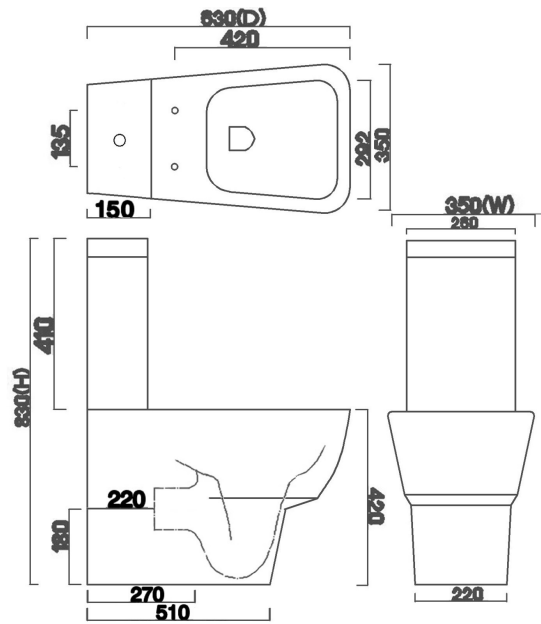
### GENERAL

Fixing Supplied	No
-----------------	----

## CUSTOMER DATA SHEET - CERAMICS

SALES CODE: NCT301

DESCRIPTION: Cistern C/W Fittings



### PRODUCT DIMENSIONS

Height (mm)	Width (mm)	Depth (mm)	Nett Wgt Kg
420	390	160	13.8

### PACKAGING DIMENSIONS

Height (mm)	Width (mm)	Depth (mm)	Gross Wgt Kg
390	185	475	13.8

### PACKAGING DATA

Box Colour	Brown Cardboard Box		
Box Qty	1	Label Colour	White Label
Label Size	100 x 50	Label Qty	2

### OUTER BOX DIMENSIONS (If Applicable)

Height (mm)	Width (mm)	Depth (mm)	Gross Wgt Kg
Barcode		5055369063321	

### PRODUCT DETAILS

Country of Origin	Turkey
Fitting Instruction	No

Certification	CE	Yes	WRAS	N/A	WRAS Number	N/A
Product Material	Vitreous China					

### PANS/BIDETS

Trap Style	Not Applicable	Includes Seat	Not Applicable
------------	----------------	---------------	----------------

### CISTERNS

Fittings	Loose 6/3L	Operating Type	Push Button
Lever Type	Plastic Chrome Plated		

### SEAT

Type	Not Applicable	Function	Not Applicable
Material	Not Applicable		
Hinge Type	Not Applicable	Hinge Material	Not Applicable

### BASINS

Tap Hole	Not Applicable	Chain Stay Hole	Not Applicable
Template	Not Applicable	Waste Type Req'd	Not Applicable
Overflow Incl.	Not Applicable	Overflow Cover	Not Applicable
Inner Bowl Depth	N/A		

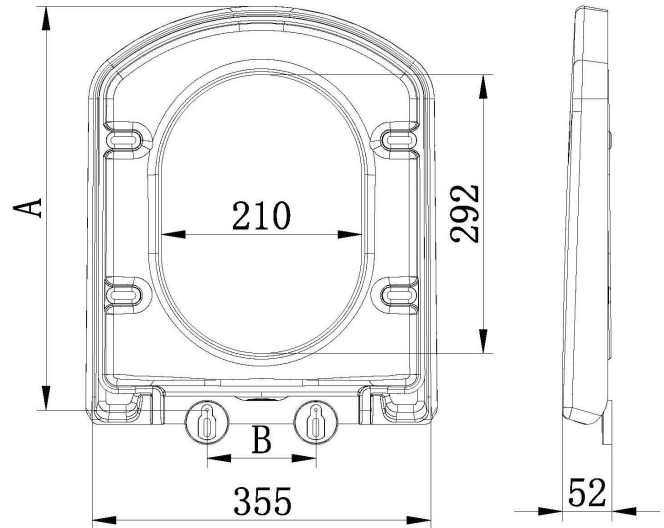
### GENERAL

Fixing Supplied	No
-----------------	----

## CUSTOMER DATA SHEET - TOILET SEATS

SALES CODE: NCT699

DESCRIPTION: Soft Close Seat



### PRODUCT DIMENSIONS

Length (mm)	Width (mm)	Height(mm)	Nett Wgt Kg
425	355	50	2.7

### PACKAGING DATA

Box Colour	Brown Cardboard Box		
Box Qty	1	Label Colour	White Label
Label Size	100 x 50	Label Qty	

### PACKAGING DIMENSIONS

Length (mm)	Width (mm)	Height (mm)	Gross Wgt Kg
475	380	60	2.7

### OUTER BOX DIMENSIONS (If Applicable)

Length (mm)	Width (mm)	Height (mm)	Gross Wgt Kg
317	490	420	15
Barcode	5055369063345		

### PRODUCT DETAILS

Country of Origin	Turkey	CE Certification	Not Applicable
Fitting Instruction	No	Colour/Finish	White
Product Material	Polypropylene	Fixing Method	Quick Release
Seat Type	D Shape	Seat Function	Soft Close
Hinge Centres (Min)	62	Hinge Material	Polypropylene
Hinge Centres (Max)	170		