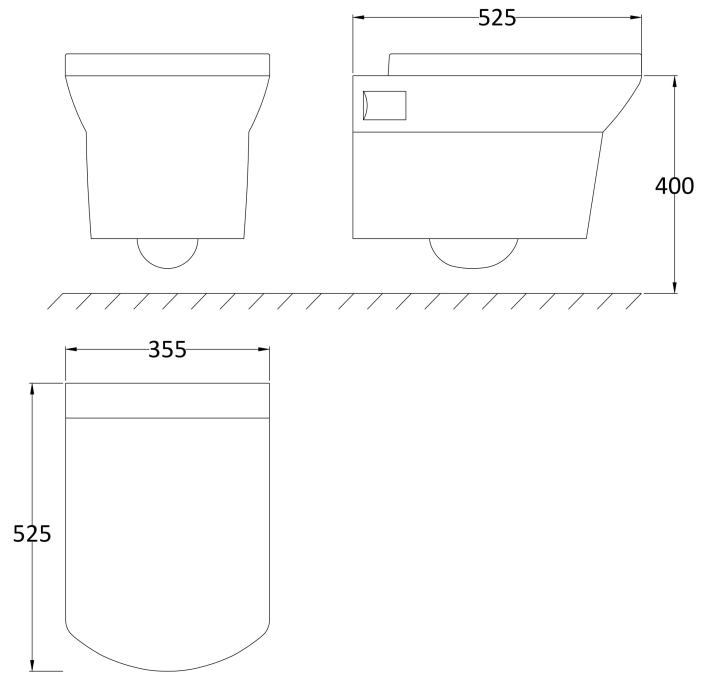


CUSTOMER DATA SHEET

SALES CODE: Clt007

DESCRIPTION: Maya W/H Pan & S/C Seat



PACKAGING DETAILS

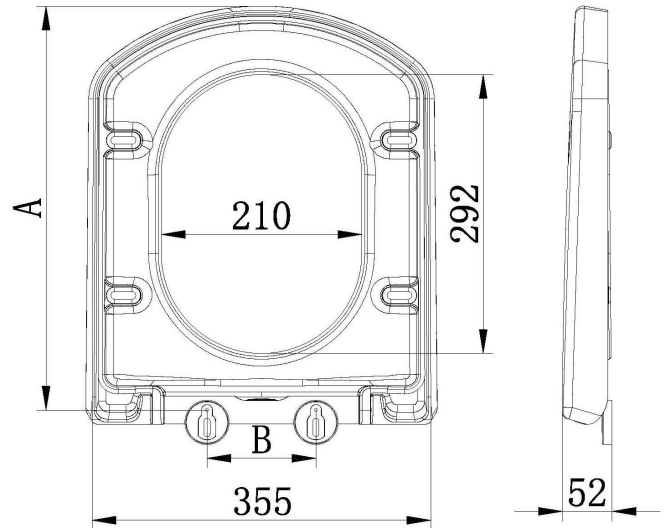
Barcode

5055369063529

CUSTOMER DATA SHEET - TOILET SEATS

SALES CODE: NCT699

DESCRIPTION: Soft Close Seat



PRODUCT DIMENSIONS

Length (mm)	Width (mm)	Height(mm)	Nett Wgt Kg
425	355	50	2.7

PACKAGING DIMENSIONS

Length (mm)	Width (mm)	Height (mm)	Gross Wgt Kg
475	380	60	2.7

PACKAGING DATA

Box Colour	Brown Cardboard Box		
Box Qty	1	Label Colour	White Label
Label Size	100 x 50	Label Qty	

OUTER BOX DIMENSIONS (If Applicable)

Length (mm)	Width (mm)	Height (mm)	Gross Wgt Kg
317	490	420	15
Barcode	5055369063345		

PRODUCT DETAILS

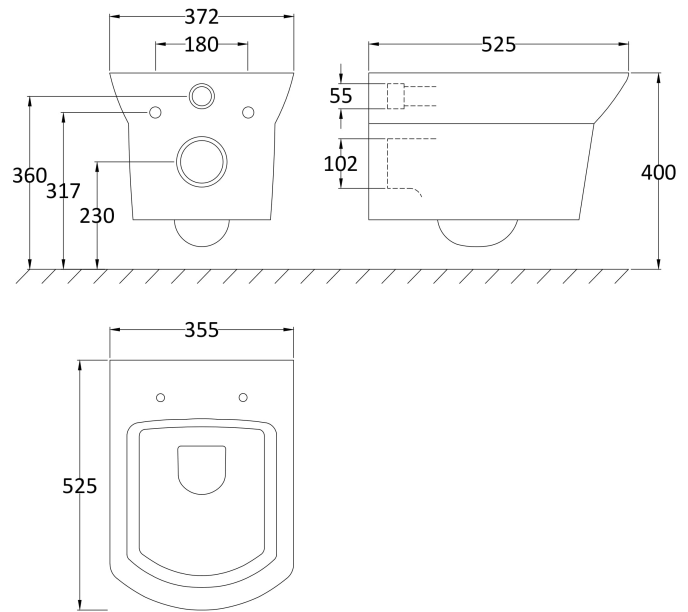
Country of Origin	Turkey
Fitting Instruction	No
Product Material	Polypropylene
Seat Type	D Shape
Hinge Centres (Min)	62
Hinge Centres (Max)	170

CE Certification	Not Applicable
Colour/Finish	White
Fixing Method	Quick Release
Seat Function	Soft Close
Hinge Material	Polypropylene

CUSTOMER DATA SHEET - CERAMICS

SALES CODE: NCT300C

DESCRIPTION: W/H Pan



PRODUCT DIMENSIONS

Height (mm)	Width (mm)	Depth (mm)	Nett Wgt Kg
400	355	525	23.7

PACKAGING DIMENSIONS

Height (mm)	Width (mm)	Depth (mm)	Gross Wgt Kg
410	370	550	23.7

PACKAGING DATA

Box Colour	Brown Cardboard Box		
Box Qty	1	Label Colour	White Label
Label Size	100 x 50	Label Qty	2

OUTER BOX DIMENSIONS (If Applicable)

Height (mm)	Width (mm)	Depth (mm)	Gross Wgt Kg
Barcode	5055369063338		

PRODUCT DETAILS

Country of Origin	Turkey
Fitting Instruction	No

Certification	CE	Yes	WRAS	N/A	WRAS Number	N/A
Product Material	Vitreous China					

PANS/BIDETS

Trap Style	P Trap	Includes Seat	No
------------	--------	---------------	----

CISTERNS

Fittings	Not Applicable	Operating Type	Not Applicable
Lever Type	Not Applicable		

SEAT

Type	D-Shape	Function	Not Applicable
Material	Not Applicable		
Hinge Type	Top Fix	Hinge Material	Not Applicable

BASINS

Tap Hole	Not Applicable	Chain Stay Hole	Not Applicable
Template	Not Applicable	Waste Type Req'd	Not Applicable
Overflow Incl.	Not Applicable	Overflow Cover	Not Applicable
Inner Bowl Depth	N/A		

GENERAL

Fixing Supplied	No
-----------------	----