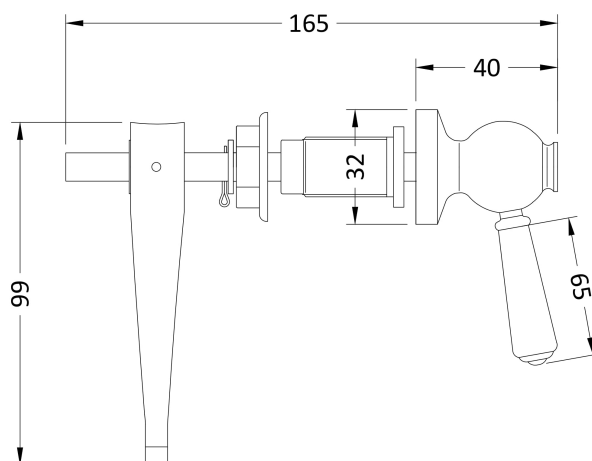


CUSTOMER DATA SHEET - WASTES & EXTRAS

SALES CODE: E370

DESCRIPTION: Ceramic Handle Wc Lever



PRODUCT DIMENSIONS

Height (mm)	Width (mm)	Length (mm)	Depth (mm)	Nett Wgt Kg
165	32		99	0.2

PACKAGING DIMENSIONS

Height (mm)	Width (mm)	Depth (mm)	Gross Wgt Kg
180	110	30	0.25

PACKAGING DATA

Box Colour	White Cardboard Box		
Box Qty	1	Label Colour	White Label
Label Size	100 x 50	Label Qty	2

OUTER BOX DIMENSIONS (If Applicable)

Height (mm)	Width (mm)	Length (mm)	Depth (mm)	Gross Wgt Kg
Barcode	5055146104766			

PRODUCT DETAILS

Country of Origin	China	CE Certification	N/A
Fitting Instruction	No	Colour/Finish	Chrome / White
Product Material	Brass; Ceramic	Product Diameter	32mm
Heating Element Wattage	Not Applicable	Connection Size	Not Applicable