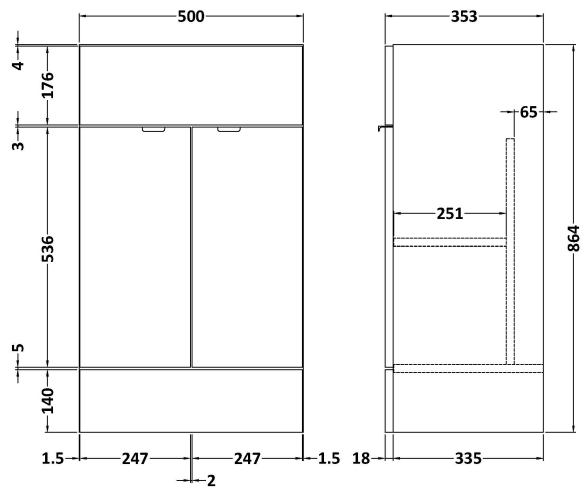


CUSTOMER DATA SHEET - FURNITURE

SALES CODE: OFF206

DESCRIPTION: 500 Vanity Unit (355mm Deep)



PRODUCT DIMENSIONS

| Height (mm) | Width (mm) | Depth (mm) | Nett Wgt Kg |
|-------------|------------|------------|-------------|
| 864 | 500 | 355 | 18 |

PACKAGING DIMENSIONS

| Height (mm) | Width (mm) | Depth (mm) | Gross Wgt Kg |
|-------------|------------|------------|--------------|
| 375 | 520 | 900 | 18.5 |

PACKAGING DATA

| | | | |
|------------|---------------------|--------------|-------------|
| Box Colour | Brown Cardboard Box | | |
| Box Qty | 1 | Label Colour | White Label |
| Label Size | 100 x 50 | Label Qty | 2 |

OUTER BOX DIMENSIONS (If Applicable)

| Height (mm) | Width (mm) | Depth (mm) | Gross Wgt Kg |
|-------------|---------------|------------|--------------|
| | | | |
| Barcode | 5055275817360 | | |

PRODUCT DETAILS

| | | | | |
|---------------------|------------------------------|-----|----|-----|
| Country of Origin | United Kingdom | | | |
| Fitting Instruction | Yes | | | |
| Constr' Method | Cam & Wood Dowel | | | |
| Cabinet Finish | MFC Textured Woodgrain | | | |
| Cab Thickness (mm) | 18 | | | |
| Drawer Included | No | | | |
| No of Shelves | 1 | | | |
| Hinge Inc' | Yes | | | |
| Fixings Inc' | Yes | | | |
| Handle Inc' | Yes | | | |
| Handle Type | Wrapover | | | |
| Certification | FSC | Yes | CE | N/A |
| Colour | Driftwood | | | |
| Constr' Type | Rigid | | | |
| Fascia Finish | MFC Textured Woodgrain | | | |
| Fas Thickness (mm) | 18 | | | |
| Drawer Type | Not Applicable | | | |
| Hinge Type | 95 Degree Clip-On Soft Close | | | |
| Adjustable Legs | No | | | |
| Handle Style | Contemporary | | | |
| Waste Shroud | No | | | |