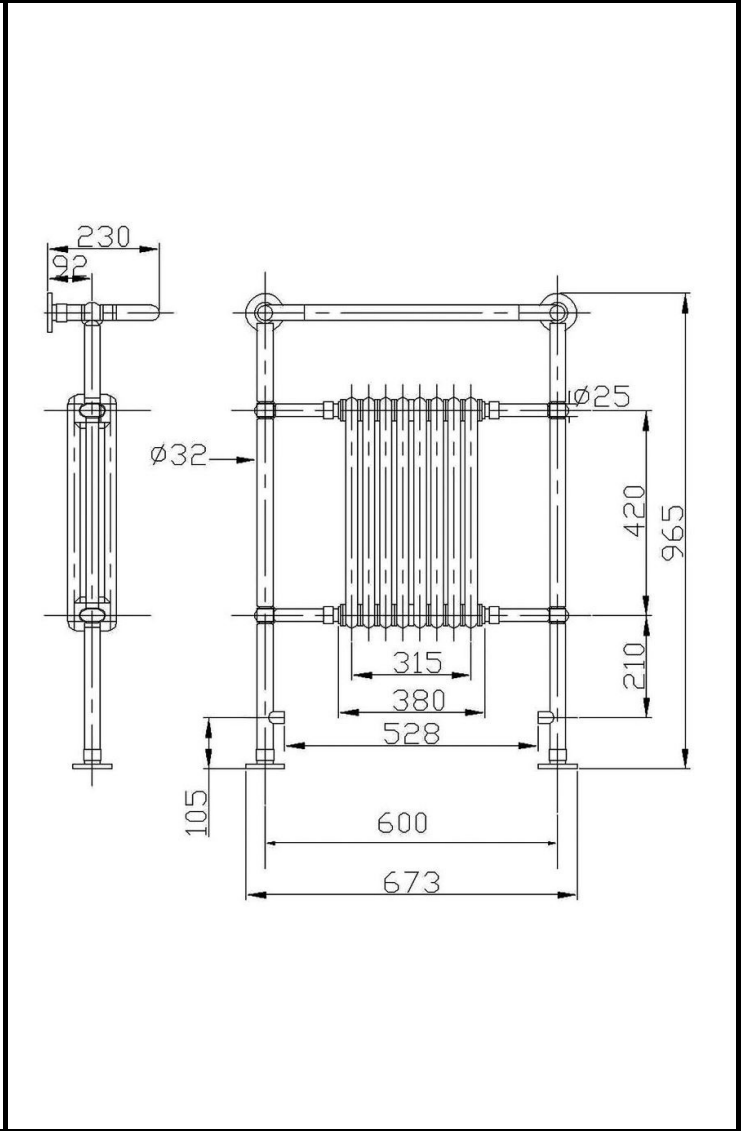
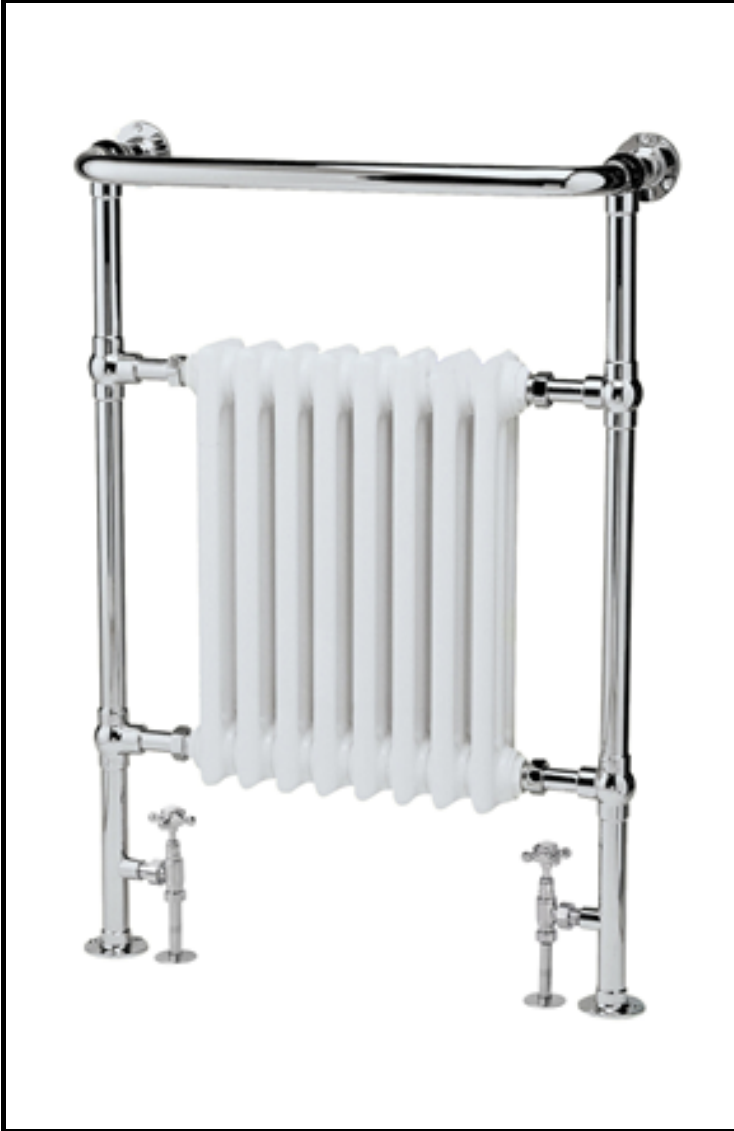


CUSTOMER DATA SHEET - HEATING

SALES CODE: MTY022

DESCRIPTION: Harrow Heated Towel Rail



PRODUCT DIMENSIONS

Height (mm)	Width (mm)	Depth (mm)	Length (mm)	Nett Wgt Kg
965	673	230		19.26

PACKAGING DIMENSIONS

Height (mm)	Width (mm)	Length (mm)	Gross Wgt Kg
740	300	1040	19.26

PACKAGING DATA

Box Colour	White Cardboard Shrinkwrapped		
Box Qty	1	Label Colour	White Label
Label Size	100 x 50	Label Qty	2

OUTER BOX DIMENSIONS (If Applicable)

Height (mm)	Width (mm)	Length (mm)	Gross Wgt Kg
Barcode	5055146167129		

PRODUCT DETAILS

Contry of Origin	China
Fitting Instruction	Yes
RAL No	9016
Heat Element Wattage	N/A
BTU @ 50 Degrees	1914
Thermal Output @ 50 Degrees	
Pipe Centres	438mm
Volume	217
Wall to Ctr of Tappings	100
Duel Fuel	N/A

Certification	CE	No	RoHS	N/A	WEEE	N/A
Colour/Finish	Chrome/White					
Product Material	Steel					
Heat Element Wattage Compatible	N/A					
BTU @ 60 Degrees	3520					
Thermal Output @ 60 Degrees	1026W					
Max Projection						
Tube Diameter	32mm					
Floor to Ctr of Tappings	105					