

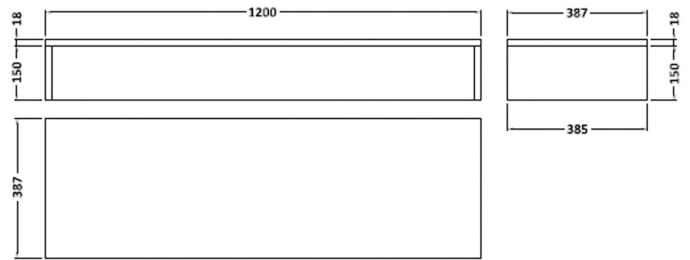
## CUSTOMER DATA SHEET

SALES CODE: FHZ018

DESCRIPTION: Horizon Wh 1200mm Cabinet, Wtop & Basin



LARGE WASHSTAND UNIT  
 (Single Drawer with x2 cut-outs for trap)



### OVERALL PRODUCT DIMENSIONS

Length (mm)	Width (mm)	Depth (mm)
0	0	0

### PACKAGING DETAILS

No of Packs	2	Barcode
Combined Wgt (kg)	0	

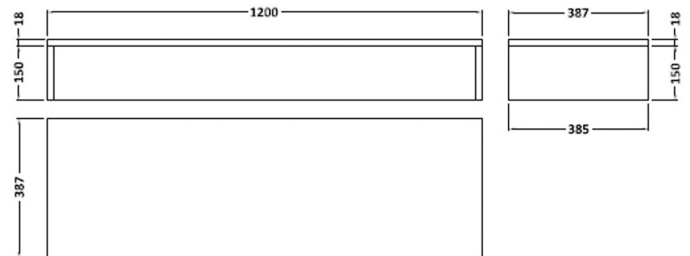
## CUSTOMER DATA SHEET - FURNITURE

SALES CODE: CAB273

DESCRIPTION: 1200 Single Dwr St& Unit 1200X168x385



LARGE WASHSTAND UNIT  
(Single Drawer with x2 cut-outs for trap)



### PRODUCT DIMENSIONS

Height (mm)	Width (mm)	Depth (mm)	Nett Wgt Kg
168	1200	385	19.59

### PACKAGING DIMENSIONS

Height (mm)	Width (mm)	Length (mm)	Gross Wgt Kg
190	420	1220	19.59

### PACKAGING DATA

Box Colour	Brown Cardboard Box		
Box Qty	1	Label Colour	White Label
Label Size	100 x 50	Label Qty	2

### OUTER BOX DIMENSIONS (If Applicable)

Height (mm)	Width (mm)	Depth (mm)	Gross Wgt Kg
Barcode	5055369056569		

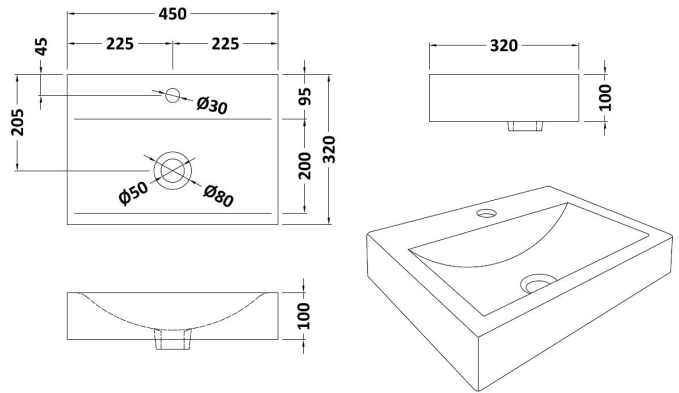
### PRODUCT DETAILS

Country of Origin	United Kingdom			
Fitting Instruction	No			
Constr' Method	Cam & Wood Dowel			
Cabinet Finish	MFC Textured Woodgrain			
Cab Thickness (mm)	18			
Drawer Included	Yes			
No of Shelves	0			
Hinge Inc'	No			
Fixings Inc'	No			
Handle Inc'	No, Not Required			
Handle Type	Handleless			
Certification	FSC	Yes	CE	N/A
Colour	Santana Oak			
Constr' Type	Rigid			
Fascia Finish	MFC Textured Woodgrain			
Fas Thickness (mm)	18			
Drawer Type	80mm High Metal S/C Inc Galler			
Hinge Type	Not Applicable			
Adjustable Legs	No			
Handle Style	Not Applicable			
Waste Shroud	Yes			

## CUSTOMER DATA SHEET - CERAMICS

SALES CODE: NBV002

DESCRIPTION: Cubix / Washstand Vessel



### PRODUCT DIMENSIONS

Height (mm)	Width (mm)	Depth (mm)	Nett Wgt Kg
100	450	320	8.93

### PACKAGING DIMENSIONS

Height (mm)	Width (mm)	Depth (mm)	Gross Wgt Kg
340	470	140	8.93

### PACKAGING DATA

Box Colour	Brown Cardboard Box - Printed		
Box Qty	1	Label Colour	White Label
Label Size	100 x 50	Label Qty	2

### OUTER BOX DIMENSIONS (If Applicable)

Height (mm)	Width (mm)	Depth (mm)	Gross Wgt Kg
Barcode	5055146194484		

### PRODUCT DETAILS

Country of Origin	China
Fitting Instruction	No

Certification	CE	No	WRAS	N/A	WRAS Number	N/A
Product Material	Vitreous China					

### PANS/BIDETS

Trap Style	Not Relevant	Includes Seat	N/A
------------	--------------	---------------	-----

### CISTERNS

Fittings	Not Applicable	Operating Type	Not Applicable
Lever Type	Not Applicable		

### SEAT

Type	Not Applicable	Function	Not Applicable
Material	Not Applicable		
Hinge Type	Not Applicable	Hinge Material	Not Applicable

### BASINS

Tap Hole	One Taphole	Chain Stay Hole	No
Template	Not Required	Waste Type Req'd	Slotted
Overflow Incl.	No	Overflow Cover	No

### GENERAL

Fixing Supplied	No
-----------------	----