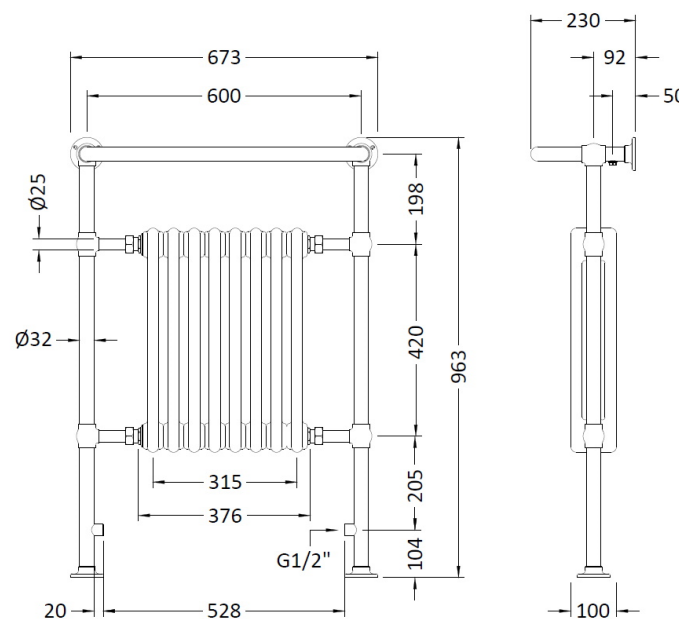
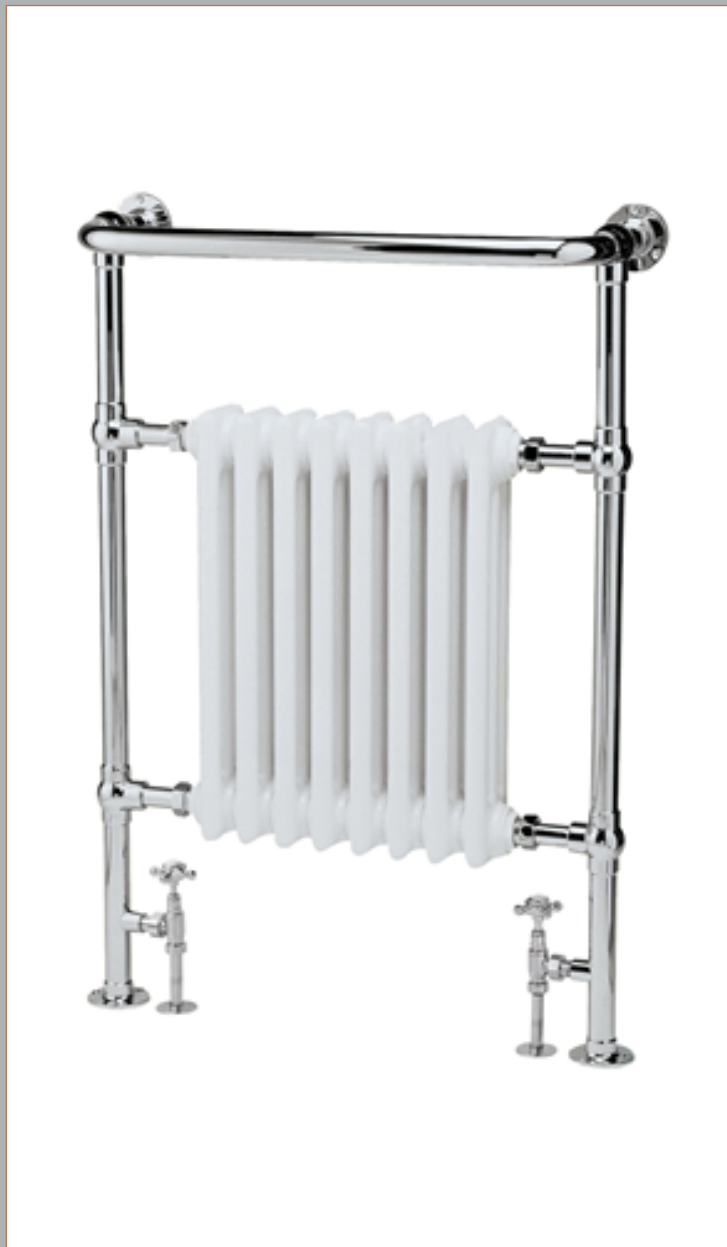


Sales Code: MTY022

Description: Harrow Heated Towel Rail 963mmx673mm



### Product Dimensions

Height (mm):	965
Width (mm):	673
Depth (mm):	230
Length (mm):	
Nett Weight (kg):	19.26

### Packaging Dimensions

Height (mm):	740
Width (mm):	300
Length (mm):	1040
Gross Weight (kg):	19.26

### Packaging Data

Box Colour:	White Cardboard Shrinkwrapped
Box Qty:	1
Label Size:	100 x 50
Label Colour:	White Label
Label Qty:	2

### Outer Box Dimensions (If Applicable)

Height (mm):	
Width (mm):	
Length (mm):	
Gross Weight (kg):	
Barcode:	5055146167129

### Product Details

Country of Origin:	China		
Fitting Instruction:	Yes		
Certification:	CE: No	RoHS: N/A	WEEE: N/A
Colour/Finish:	Chrome/White		
RAL No:	9016		
Product Material:	Steel		
Heat Element Wattage:	Not Applicable		
Heating Element Wattage Compatible:	N/A		
BTU Outputs:	30°C / 925	50°C / 1778	60°C / 2252
Thermal Outputs: (Watts)	30°C / 271	50°C / 521	60°C / 657
Pipe Centres - If Vertical:	438mm		
Pipe Centres - If Horizontal:	N/A		
Max Projection:			
Tube Diameter:	32mm		
Packaging Volume (L):	217		
Wall to Centre of Tappings:	105		
Floor to Centre of Tappings:	100		
Dual Fuel:	N/A		
IP Rating:			