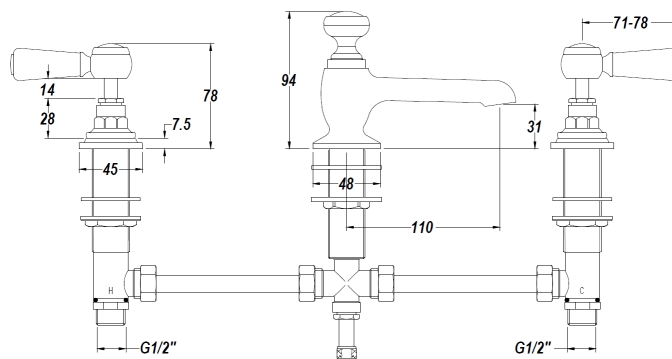


Sales Code: BC307HL

Description: Topaz Lever 3Th Basin Mixer



### Product Dimensions

Height (mm):	94
Width (mm):	246
Depth (mm):	140
Length (mm):	
Nett Weight (kg):	2.8

### Packaging Dimensions

Height (mm):	75
Width (mm):	150
Depth (mm):	430
Gross Weight (kg):	3

### Packaging Data

Box Colour:	White Cardboard Box
Box Qty:	1
Label Size:	100 x 50
Label Colour:	White Label
Label Qty:	1

### Outer Box Dimensions (If Applicable)

Height (mm):	495
Width (mm):	555
Depth (mm):	290
Length (mm):	
Gross Weight (kg):	25
Barcode:	5055275871485

### Product Details

Country of Origin:	United Kingdom
Fitting Instruction:	Yes
Product Material:	Brass
Control Type:	Manual
Waste Included:	Waste Included
Waste Type:	Pop-Up
WRAS Approval: No	Approval No: N/A
Valve/Cartridge Type:	1/4 Turn Ceramic Disc
Colour/Finish:	Chrome
Mount Type:	Deck
Operating Pressure (bar):	0.1

Flow Rates: (Litres Per Min)	0.1 bar: 5,6	0.5 bar: 14	1 bar: 20,2	2 bar: 29	3 bar: 35,4
Pipe Size:	15 mm (1/2" Bsp)				
Pipe Centres:	N/A				