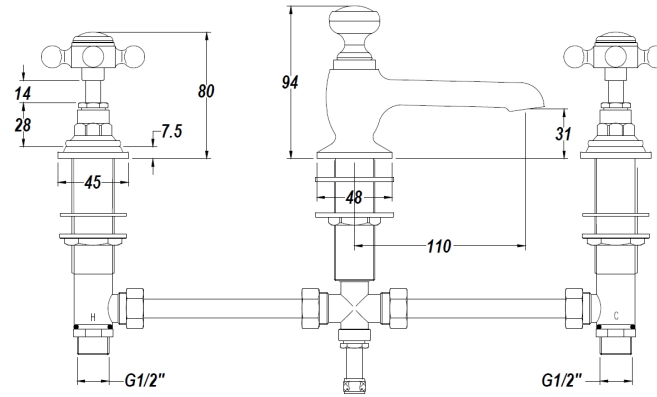


Sales Code: BC807HX

Description: Topaz 3 T/H Basin Mixer W/ Pop-Up Waste



Product Dimensions

| | |
|-------------------|-----|
| Height (mm): | 94 |
| Width (mm): | 246 |
| Depth (mm): | 140 |
| Length (mm): | |
| Nett Weight (kg): | 2.8 |

Packaging Dimensions

| | |
|--------------------|-----|
| Height (mm): | 75 |
| Width (mm): | 150 |
| Depth (mm): | 430 |
| Gross Weight (kg): | 3 |

Packaging Data

| | |
|---------------|---------------------|
| Box Colour: | White Cardboard Box |
| Box Qty: | 1 |
| Label Size: | 100 x 50 |
| Label Colour: | White Label |
| Label Qty: | 1 |

Outer Box Dimensions (If Applicable)

| | |
|--------------------|---------------|
| Height (mm): | 370 |
| Width (mm): | 350 |
| Depth (mm): | 405 |
| Length (mm): | |
| Gross Weight (kg): | 25 |
| Barcode: | 5056462603377 |

Product Details

| | |
|---------------------------|-----------------------|
| Country of Origin: | China |
| Fitting Instruction: | No |
| Product Material: | Brass |
| Control Type: | Manual |
| Waste Included: | Waste Included |
| Waste Type: | Pop-Up |
| WRAS Approval: No | Approval No: N/A |
| Valve/Cartridge Type: | 1/4 Turn Ceramic Disc |
| Colour/Finish: | Brushed Brass |
| Mount Type: | Deck |
| Operating Pressure (bar): | 0.1 |

| | | | | | |
|------------------------------|------------------|-------------|-------------|-----------|-------------|
| Flow Rates: (Litres Per Min) | 0.1 bar: 5,6 | 0.5 bar: 14 | 1 bar: 20,2 | 2 bar: 29 | 3 bar: 35,4 |
| Pipe Size: | 15 mm (1/2" Bsp) | | | | |
| Pipe Centres: | N/A | | | | |