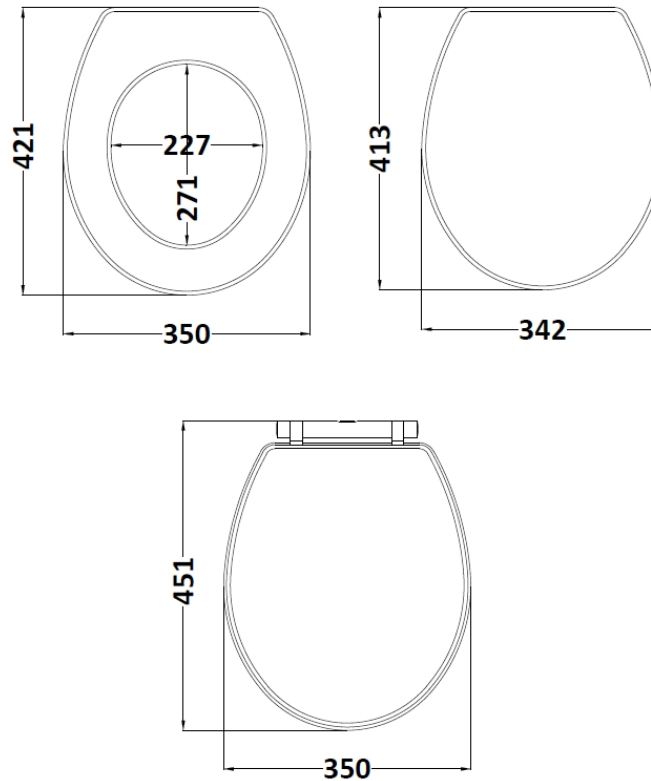


Sales Code: LOS399

Description: Richmond Toilet Seat



Product Dimensions

| | |
|-------------------|-----|
| Length (mm): | 451 |
| Width (mm): | 350 |
| Height (mm): | 60 |
| Nett Weight (kg): | 3 |

Packaging Dimensions

| | |
|--------------------|-----|
| Length (mm): | 480 |
| Width (mm): | 380 |
| Height (mm): | 60 |
| Gross Weight (kg): | 3.5 |

Packaging Data

| | |
|---------------|---------------------|
| Box Colour: | Brown Cardboard Box |
| Box Qty: | 1 |
| Label Size: | x |
| Label Colour: | White Label |
| Label Qty: | 1 |

Outer Box Dimensions (If Applicable)

| | |
|--------------------|---------------|
| Length (mm): | |
| Width (mm): | |
| Height (mm): | |
| Gross Weight (kg): | |
| Barcode: | 5056211818397 |

Product Details

| | |
|----------------------|---------------|
| Country of Origin: | Ireland |
| Fitting Instruction: | No |
| CE Certification: | Yes |
| Product Material: | Mdf Vinyl |
| Seat Type: | Round |
| Seat Function: | Soft Close |
| Hinge Centres (Min): | 150 |
| Hinge Centres (Max): | 186 |
| Hinge Material: | Zinc Alloy |
| Colour/Finish: | Twilight Blue |
| Fixing Method: | Top Fix |