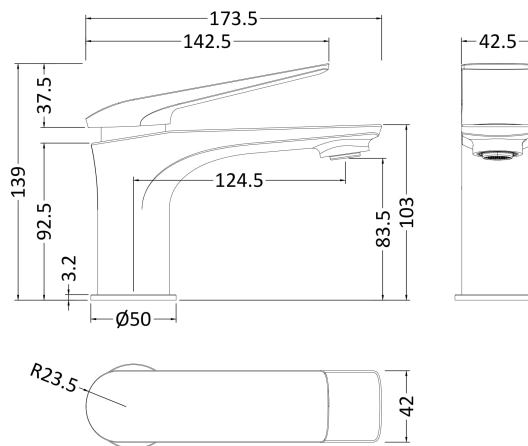


**Sales Code:** DRI305

**Description:** Drift Mono Basin Mixer P/B Waste



**Product Dimensions**

|                   |     |
|-------------------|-----|
| Height (mm):      | 139 |
| Width (mm):       | 50  |
| Depth (mm):       | 174 |
| Length (mm):      |     |
| Nett Weight (kg): | 1.1 |

**Packaging Dimensions**

|                    |     |
|--------------------|-----|
| Height (mm):       | 80  |
| Width (mm):        | 190 |
| Depth (mm):        | 335 |
| Gross Weight (kg): | 1.3 |

**Packaging Data**

|               |                     |
|---------------|---------------------|
| Box Colour:   | White Cardboard Box |
| Box Qty:      | 1                   |
| Label Size:   | 100 x 50            |
| Label Colour: | White Label         |
| Label Qty:    | 1                   |

**Outer Box Dimensions (If Applicable)**

|                    |               |
|--------------------|---------------|
| Height (mm):       | 360           |
| Width (mm):        | 395           |
| Depth (mm):        | 430           |
| Length (mm):       |               |
| Gross Weight (kg): |               |
| Barcode:           | 5056211840336 |

**Product Details**

|                           |                        |
|---------------------------|------------------------|
| Country of Origin:        | China                  |
| Fitting Instruction:      | No                     |
| Product Material:         | Brass                  |
| Control Type:             | Manual                 |
| Waste Included:           | Waste Included         |
| Waste Type:               | Push Button            |
| WRAS Approval:            | No                     |
| Approval No:              |                        |
| Valve/Cartridge Type:     | Single Lever Cartridge |
| Colour/Finish:            | Chrome                 |
| Mount Type:               | Deck                   |
| Operating Pressure (bar): | 0.5                    |

|                              |              |              |          |             |             |
|------------------------------|--------------|--------------|----------|-------------|-------------|
| Flow Rates: (Litres Per Min) | 0.1 bar: 1.5 | 0.5 bar: 5.5 | 1 bar: 8 | 2 bar: 11.5 | 3 bar: 14.5 |
| Pipe Size:                   | 1/2"         |              |          |             |             |
| Pipe Centres:                | N/A          |              |          |             |             |