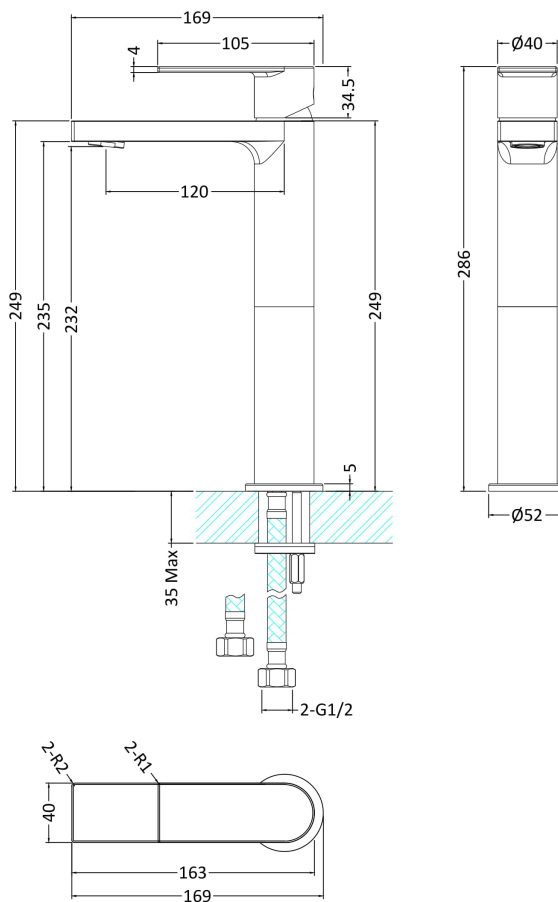
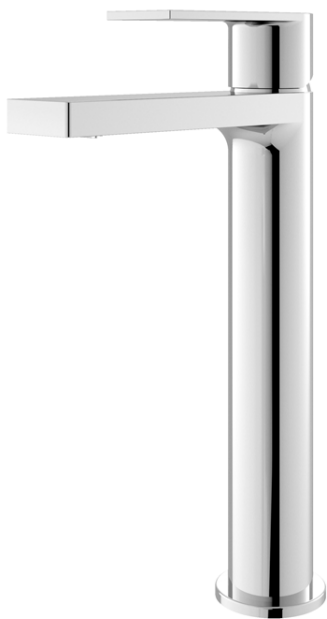


Sales Code: SOT370

Description: Sottile Tall Mono Basin Mixer P/B Waste



Product Dimensions

Height (mm):	286
Width (mm):	52
Depth (mm):	169
Length (mm):	
Nett Weight (kg):	2.4

Packaging Dimensions

Height (mm):	70
Width (mm):	410
Depth (mm):	220
Gross Weight (kg):	2.4

Packaging Data

Box Colour:	White Cardboard Box
Box Qty:	1
Label Size:	100 x 50
Label Colour:	White Label
Label Qty:	1

Outer Box Dimensions (If Applicable)

Height (mm):	
Width (mm):	
Depth (mm):	
Length (mm):	
Gross Weight (kg):	
Barcode:	5056211853596

Product Details

Country of Origin:	China
Fitting Instruction:	No
Product Material:	Brass
Control Type:	Manual
Waste Included:	Waste Included
Waste Type:	Push Button
WRAS Approval:	No
Approval No:	N/A
Valve/Cartridge Type:	Single Lever Cartridge
Colour/Finish:	Chrome
Mount Type:	Deck
Operating Pressure (bar):	0.2
Flow Rates: (Litres Per Min)	0.1 bar: 1.1 0.5 bar: 6.9 1 bar: 10.1 2 bar: 15 3 bar: 18.5
Pipe Size:	1/2"
Pipe Centres:	N/A