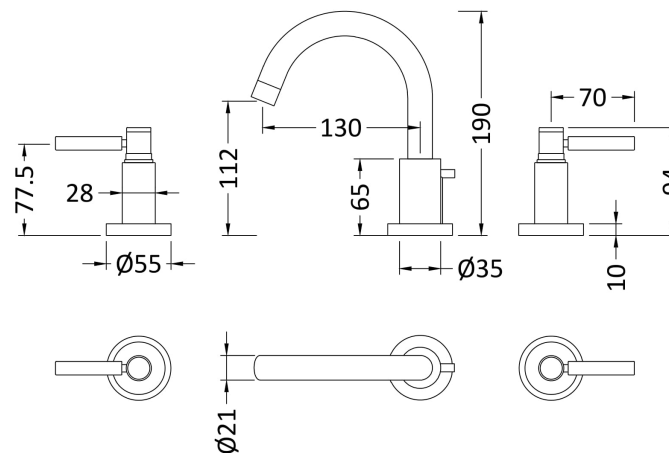


Sales Code: TEL337

Description: Tec Lever 3 T/H Basin Mixer Inc Puw



### Product Dimensions

Height (mm):	190
Width (mm):	235
Depth (mm):	170
Length (mm):	
Nett Weight (kg):	3.23

### Packaging Dimensions

Height (mm):	85
Width (mm):	175
Depth (mm):	390
Gross Weight (kg):	3.23

### Packaging Data

Box Colour:	White Cardboard Box
Box Qty:	1
Label Size:	100 x 50
Label Colour:	White Label
Label Qty:	2

### Outer Box Dimensions (If Applicable)

Height (mm):	350
Width (mm):	400
Depth (mm):	370
Length (mm):	
Gross Weight (kg):	19
Barcode:	5055146192060

### Product Details

Country of Origin:	United Kingdom
Fitting Instruction:	No
Product Material:	Brass
Control Type:	Manual
Waste Included:	Waste Included
Waste Type:	Pop-Up
WRAS Approval:	No
Approval No:	N/A
Valve/Cartridge Type:	1/4 Turn Ceramic Disc
Colour/Finish:	Chrome
Mount Type:	Deck
Operating Pressure (bar):	0.1
Flow Rates: (Litres Per Min)	0.1 bar: 4    0.5 bar: 14    1 bar: 22    2 bar: 28    3 bar: 32
Pipe Size:	15 mm (1/2" Bsp)
Pipe Centres:	N/A