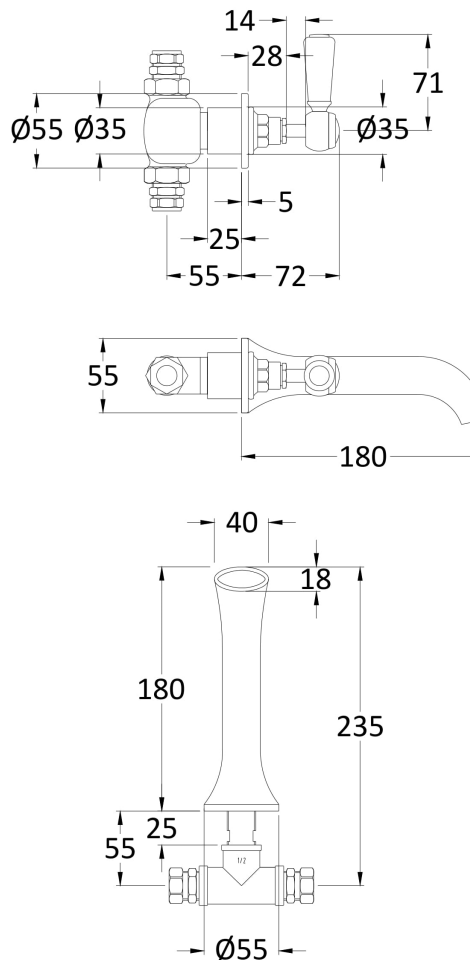


Sales Code: BC317HL

Description: Wall Mount 3Th Basin Tap Hex Lever



Product Dimensions

| | |
|-------------------|-----|
| Height (mm): | 55 |
| Width (mm): | |
| Depth (mm): | 180 |
| Length (mm): | |
| Nett Weight (kg): | 2 |

Packaging Dimensions

| | |
|--------------------|-----|
| Height (mm): | 65 |
| Width (mm): | 350 |
| Depth (mm): | 213 |
| Gross Weight (kg): | 2 |

Packaging Data

| | |
|---------------|---------------------|
| Box Colour: | White Cardboard Box |
| Box Qty: | 1 |
| Label Size: | 100 x 50 |
| Label Colour: | White Label |
| Label Qty: | 1 |

Outer Box Dimensions (If Applicable)

| | |
|--------------------|---------------|
| Height (mm): | |
| Width (mm): | |
| Depth (mm): | |
| Length (mm): | |
| Gross Weight (kg): | |
| Barcode: | 5056211853183 |

Product Details

| | |
|------------------------------|--|
| Country of Origin: | China |
| Fitting Instruction: | No |
| Product Material: | Brass |
| Control Type: | Manual |
| Waste Included: | Waste Not Included |
| Waste Type: | Not Applicable |
| WRAS Approval: | No |
| Approval No: | N/A |
| Valve/Cartridge Type: | 1/4 Turn Ceramic Disc |
| Colour/Finish: | Chrome |
| Mount Type: | Wall |
| Operating Pressure (bar): | 0.1 |
| Flow Rates: (Litres Per Min) | 0.1 bar: 8 0.5 bar: 19,3 1 bar: 27,5 2 bar: 39,4 3 bar: 47,8 |
| Pipe Size: | 15 mm (1/2" Bsp) |
| Pipe Centres: | N/A |