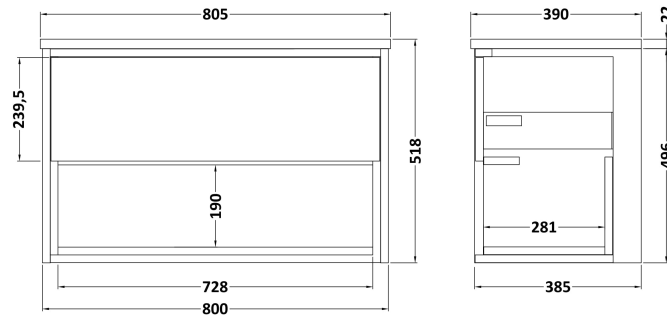


**Sales Code:** CST888LBG

**Description:** 800 W/H Drawer Unit & Lam Worktop

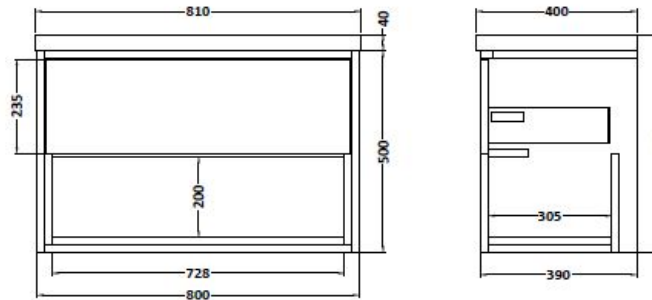


### Packaging Details

Barcode: 5056462612065

**Sales Code:** FMC888

**Description:** 800mm Wall Mounted Van Open Shelf



**Product Dimensions**

Height (mm):	496
Width (mm):	800
Depth (mm):	385
Nett Weight (kg):	30.8

**Packaging Dimensions**

Height (mm):	500
Width (mm):	798
Depth (mm):	383
Gross Weight (kg):	31.8

**Packaging Data**

Box Colour:	Brown Cardboard Box
Box Qty:	1
Label Size:	100 x 50
Label Colour:	White Label
Label Qty:	2

**Outer Box Dimensions (If Applicable)**

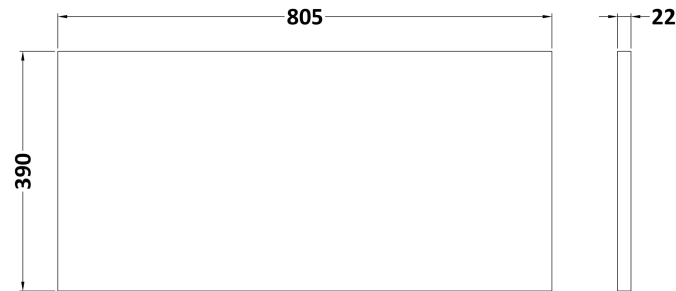
Height (mm):	
Width (mm):	
Depth (mm):	
Gross Weight (kg):	
Barcode:	5055369096978

**Product Details**

Country of Origin:	United Kingdom
Fitting Instruction:	No
CE & UKCA:	
FSC Certified Materials:	Yes
Colour:	Gloss Grey/Anthracite Metallic
Construction Method:	Cam & Wood Dowel
Construction Type:	Rigid
Cabinet Finish:	MFC Gloss
Fascia Finish:	MFC Gloss
Cabinet Thickness (mm):	18
Fascia Thickness (mm):	18
Drawer Included:	Yes
Drawer Type:	Push To Open
No of Shelves:	0
Hinge Type:	Not Applicable
Hinge Included:	No
Adjustable Legs:	No
Fixings Included:	Yes
Handle Style:	Not Applicable
Waste Shroud:	Yes
Handle Included:	No, Not Required
Handle Type:	Not Applicable

**Sales Code:** LBG800

**Description:** Laminate Worktop 805X390x22mm



**Product Dimensions**

Height (mm):	22
Width (mm):	805
Depth (mm):	390
Nett Weight (kg):	2.75

**Packaging Dimensions**

Height (mm):	25
Width (mm):	810
Depth (mm):	455
Gross Weight (kg):	2.75

**Packaging Data**

Box Colour:	Brown Cardboard Box
Box Qty:	1
Label Size:	100 x 50
Label Colour:	White Label
Label Qty:	1

**Outer Box Dimensions (If Applicable)**

Height (mm):	
Width (mm):	
Depth (mm):	
Gross Weight (kg):	
Barcode:	5056211874133

**Product Details**

Country of Origin:	United Kingdom
Fitting Instruction:	No
CE & UKCA:	N/A
FSC Certified Materials:	Yes
Colour:	Bellato Grey
Construction Method:	Not Applicable
Construction Type:	Not Applicable
Cabinet Finish:	Not Applicable
Fascia Finish:	MFC Laminated
Cabinet Thickness (mm):	
Fascia Thickness (mm):	22
Drawer Included:	No
Drawer Type:	Not Applicable
No of Shelves:	0
Hinge Type:	Not Applicable
Hinge Included:	No
Adjustable Legs:	No, Not Required
Fixings Included:	No
Handle Style:	Not Applicable
Waste Shroud:	Not Applicable
Handle Included:	No
Handle Type:	Not Applicable