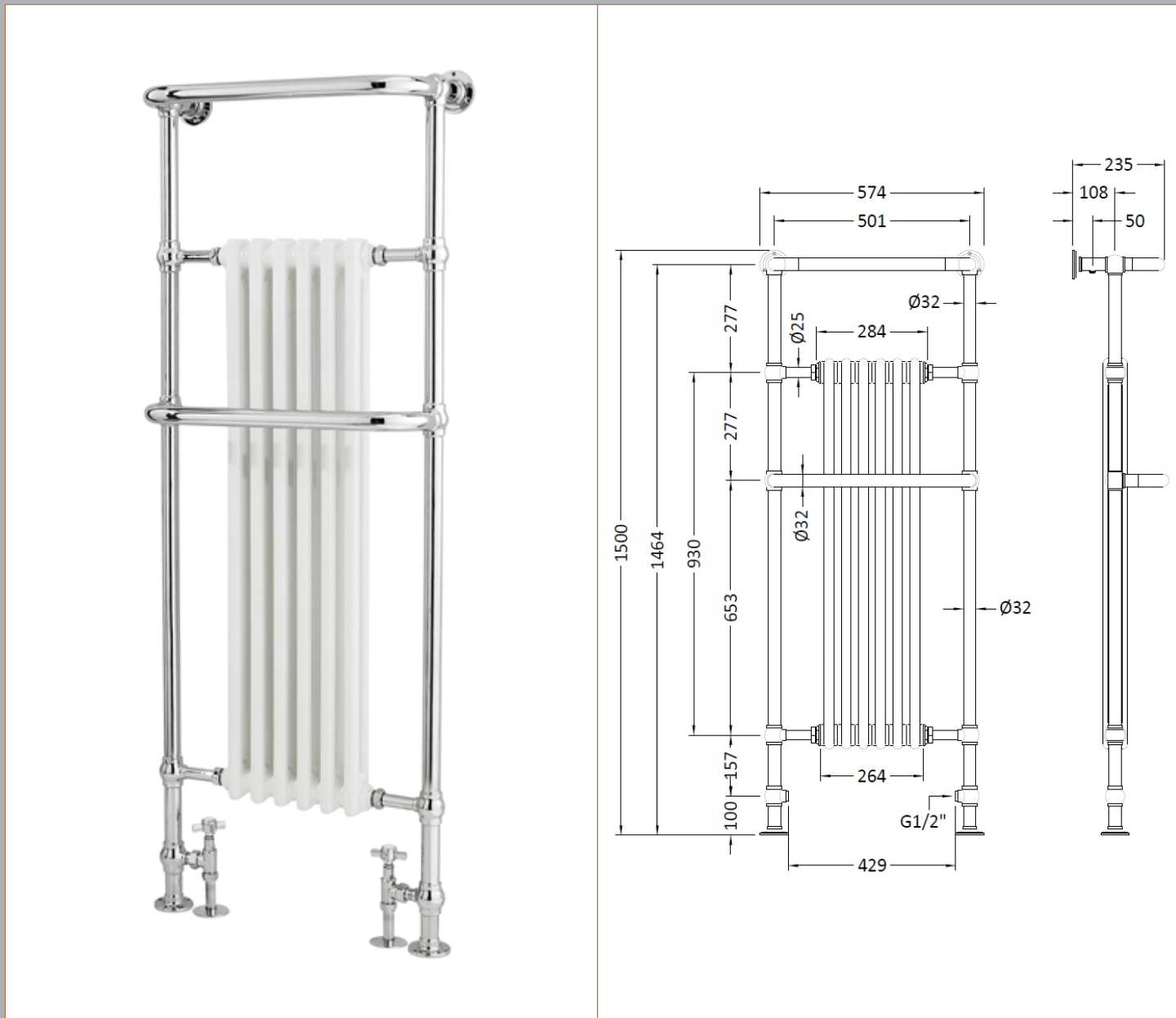


Sales Code: LDR008

Description: Tillbury F/S Radiator



**Product Dimensions**

Height (mm):	1500
Width (mm):	574
Depth (mm):	235
Length (mm):	
Nett Weight (kg):	24

**Packaging Dimensions**

Height (mm):	294
Width (mm):	635
Length (mm):	1565
Gross Weight (kg):	26

**Packaging Data**

Box Colour:	White Cardboard Shrinkwrapped
Box Qty:	1
Label Size:	100 x 50
Label Colour:	White Label
Label Qty:	2

**Outer Box Dimensions (If Applicable)**

Height (mm):	
Width (mm):	
Length (mm):	
Gross Weight (kg):	
Barcode:	5055369036417

**Product Details**

Country of Origin:	China		
Fitting Instruction:	No		
Certification:	CE & UKCA: No	RoHS: N/A	WEEE: N/A
Colour/Finish:	Chrome & White		
RAL No:	9016		
Product Material:	Steel		
Heat Element Wattage:	Not Applicable		
Heating Element Wattage Compatible:	N/A		
BTU Outputs:	30°C / 1140	50°C / 2153	60°C / 2727
Thermal Outputs: (Watts)	30°C / 334	50°C / 631	60°C / 791
Pipe Centres - If Vertical:	355mm		
Pipe Centres - If Horizontal:	N/A		
Max Projection:	240mm		
Tube Diameter:			
Packaging Volume (L):			
Wall to Centre of Tappings:	N/A		
Floor to Centre of Tappings:	N/A		
Dual Fuel:	N/A		
IP Rating:			