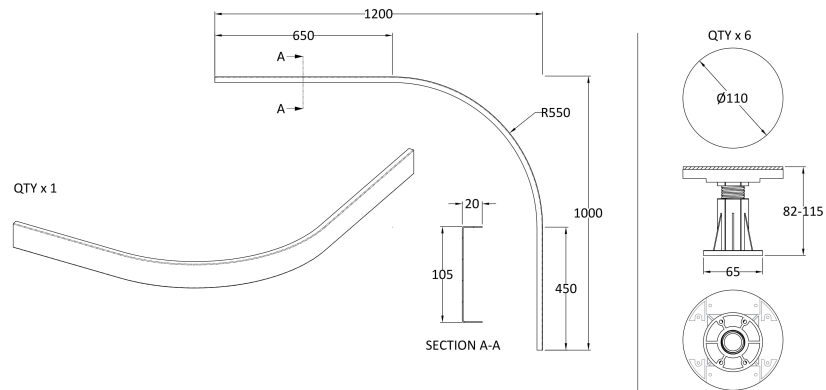


Sales Code: LEG5S

Description: Suitable For 700-900 Quad & Offset Trays

Packaging Details

Barcode: 5056211868873



Sales Code: TR71616

Description: 1200 X 1000 Quad Tray Panel



Product Dimensions

| | |
|-------------------|------|
| Length (mm): | 1200 |
| Width (mm): | 1000 |
| Height (mm): | 12 |
| Nett Weight (kg): | 0.4 |

Packaging Dimensions

| | |
|--------------------|-----|
| Length (mm): | 550 |
| Width (mm): | 550 |
| Height (mm): | 550 |
| Gross Weight (kg): | 0.4 |

Packaging Data

| | |
|---------------|-------------|
| Box Colour: | Polybagged |
| Box Qty: | 1 |
| Label Size: | 100 x 50 |
| Label Colour: | White Label |
| Label Qty: | 2 |

Outer Box Dimensions (If Applicable)

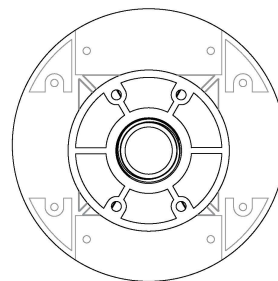
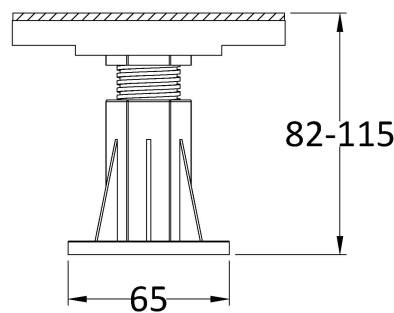
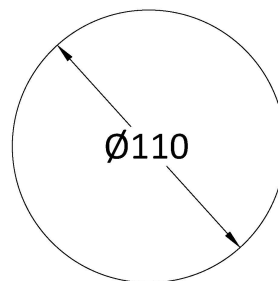
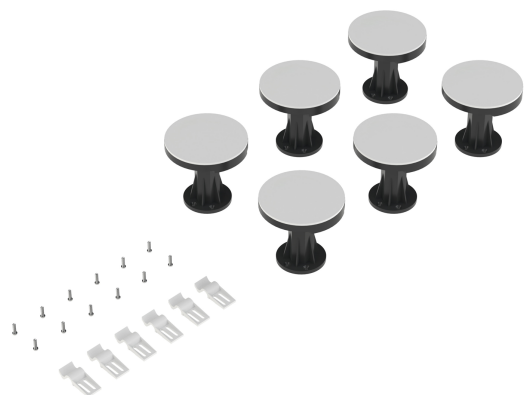
| | |
|--------------------|---------------|
| Length (mm): | |
| Width (mm): | |
| Height (mm): | |
| Gross Weight (kg): | |
| Barcode: | 5056211855477 |

Product Details

| | |
|----------------------------|--------------------|
| Country of Origin: | United Kingdom |
| Fitting Instruction: | No |
| CE & UKCA: | |
| Colour/Finish: | White |
| Product Material: | Acrylic Capped ABS |
| Material Colour Reference: | Slate Grey |
| Radius: | 550 |
| Waste Required (mm): | |
| Compatible with Leg Kit: | Not Applicable |

Sales Code: NTP001A

Description: Pack Of 6 Legs/Clips & Screws



Product Dimensions

| | |
|-------------------|------|
| Length (mm): | 110 |
| Width (mm): | 110 |
| Height (mm): | 115 |
| Depth (mm): | |
| Nett Weight (kg): | 0.66 |

Packaging Dimensions

| | |
|--------------------|------|
| Height (mm): | 180 |
| Width (mm): | 120 |
| Depth (mm): | 125 |
| Gross Weight (kg): | 0.73 |

Packaging Data

| | |
|---------------|-------------|
| Box Colour: | Polybagged |
| Box Qty: | 1 |
| Label Size: | 100 x 50 |
| Label Colour: | White Label |
| Label Qty: | 2 |

Outer Box Dimensions (If Applicable)

| | |
|--------------------|---------------|
| Height (mm): | |
| Width (mm): | |
| Length (mm): | |
| Depth (mm): | |
| Gross Weight (kg): | |
| Barcode: | 5056211855415 |

Product Details

| | |
|--------------------------|-------|
| Country of Origin: | China |
| Fitting Instruction: | No |
| CE & UKCA: | |
| Product Material: | |
| Heating Element Wattage: | |
| Colour/Finish: | |
| Product Diameter: | |
| Connection Size: | |