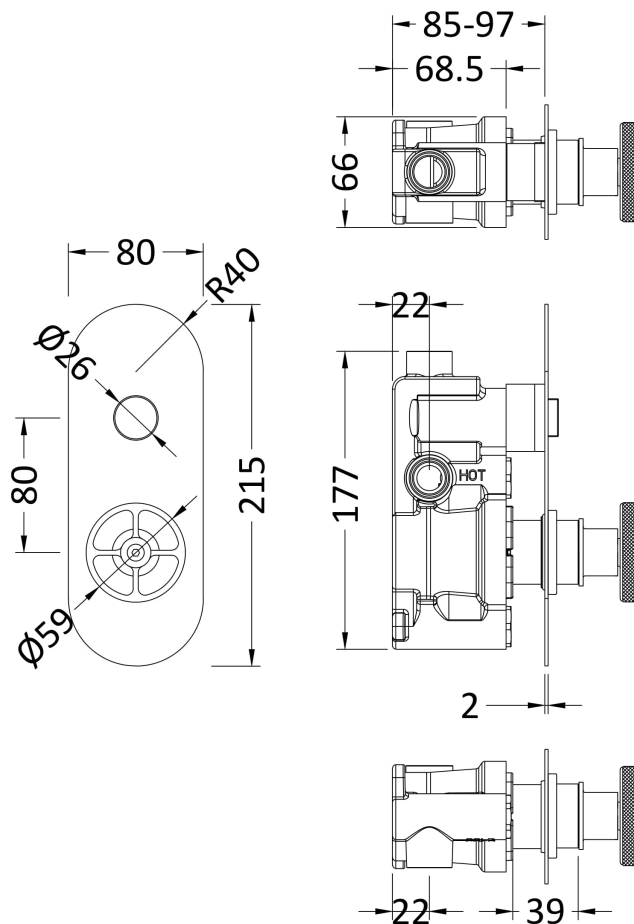


Sales Code: CPB4310

Description: Industrial 1 Push Button Shower Valve



Product Dimensions

| | |
|-------------------|-----|
| Length (mm): | |
| Width (mm): | 80 |
| Height (mm): | 215 |
| Depth (mm): | 135 |
| Nett Weight (kg): | 2.3 |

Packaging Dimensions

| | |
|--------------------|-----|
| Length (mm): | 275 |
| Width (mm): | 242 |
| Height (mm): | 124 |
| Gross Weight (kg): | 2.3 |

Packaging Data

| | |
|---------------|---------------------|
| Box Colour: | White Cardboard Box |
| Box Qty: | 1 |
| Label Size: | 100 x 50 |
| Label Colour: | White Label |
| Label Qty: | 1 |

Outer Box Dimensions (If Applicable)

| | |
|--------------------|---------------|
| Length (mm): | |
| Width (mm): | 242 |
| Height (mm): | 124 |
| Depth (mm): | 275 |
| Gross Weight (kg): | |
| Barcode: | 5056211855170 |

Product Details

| | |
|---------------------------|---|
| Country of Origin: | United Kingdom |
| Fitting Instruction: | No |
| Product Material: | Brass/ABS |
| Mount Type: | Recessed |
| Outlet Elbow Supplied: | No |
| Easy Clean: | Not Applicable |
| Head Included: | No |
| Handset Included: | No |
| Body Jets Included: | No |
| No of Body Jets: | Not Applicable |
| Operating Pressure (bar): | 1 |
| Valve/Cartridge Type: | Push Button |
| Flow Rates (L/min): | 0.1 bar: N/A 0.5 bar: N/A 1 bar: 11.1 2 bar: 16.1 3 bar: 19.7 |
| TMV2 Approved: | No Approval No: N/A |
| TMV3 Approved: | No Approval No: N/A |
| WRAS Approved: | No Approval No: N/A |
| Head Function: | Not Applicable |
| Handset Function: | Not Applicable |
| Body Jet Info: | Not Applicable |
| Pipe Size: | 15 mm (1/2" Bsp) |
| Pipe Centres: | N/A |
| Colour/Finish: | Chrome |
| Hose Included: | Not Applicable |
| No. of Outlets: | 1 |