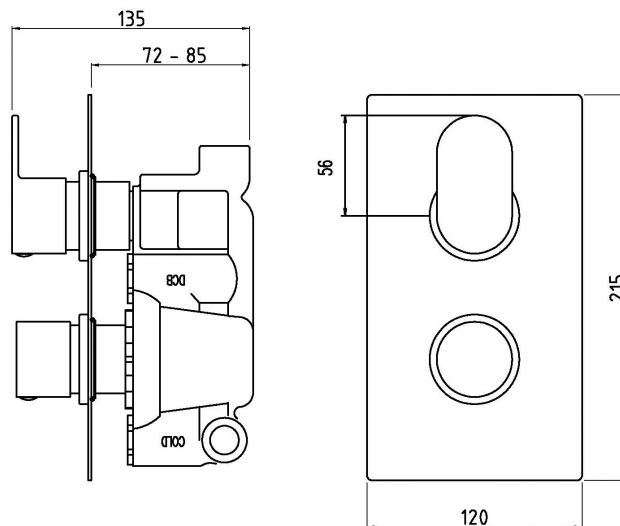


Sales Code: REI3607

Description: Reign Twin Valve With Diverter



1/2" BSP CONNECTIONS

Product Dimensions

Length (mm):	
Width (mm):	120
Height (mm):	215
Depth (mm):	135
Nett Weight (kg):	2.9

Packaging Dimensions

Length (mm):	250
Width (mm):	240
Height (mm):	130
Gross Weight (kg):	2.9

Packaging Data

Box Colour:	White Cardboard Box
Box Qty:	1
Label Size:	100 x 50
Label Colour:	White Label
Label Qty:	1

Outer Box Dimensions (If Applicable)

Length (mm):	
Width (mm):	290
Height (mm):	420
Depth (mm):	500
Gross Weight (kg):	
Barcode:	5055275832943

Product Details

Country of Origin:	United Kingdom
Fitting Instruction:	No
Product Material:	Brass/ABS
Mount Type:	Wall
Outlet Elbow Supplied:	Not Applicable
Easy Clean:	Not Applicable
Head Included:	No
Handset Included:	No
Body Jets Included:	Not Applicable
No of Body Jets:	Not Applicable
Operating Pressure (bar):	0.5
Valve/Cartridge Type:	1/4 Turn Ceramic Disc
Flow Rates (L/min):	0.1 bar: N/A 0.5 bar: 13 1 bar: 17 2 bar: 24 3 bar: 27
TMV2 Approved:	No Approval No: N/A
TMV3 Approved:	No Approval No: N/A
WRAS Approved:	No Approval No: N/A
Head Function:	Not Applicable
Handset Function:	Not Applicable
Body Jet Info:	Not Applicable
Pipe Size:	22 mm (3/4" Bsp)
Pipe Centres:	125mm
Colour/Finish:	Chrome
Hose Included:	Not Applicable
No. of Outlets:	2