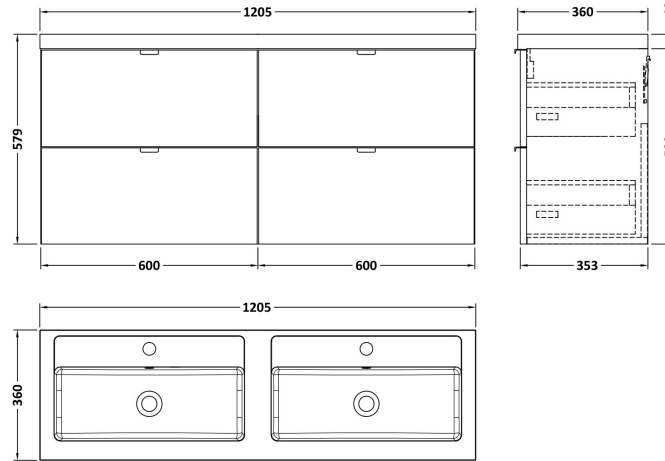
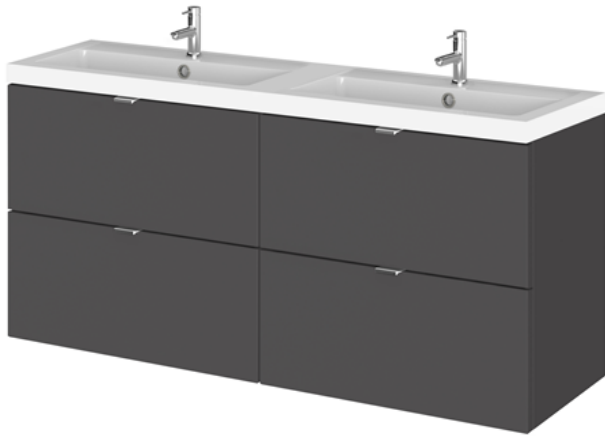


Sales Code: CBI932

Description: 1200 Wh 4-Drawer Vanity W/Double Basin

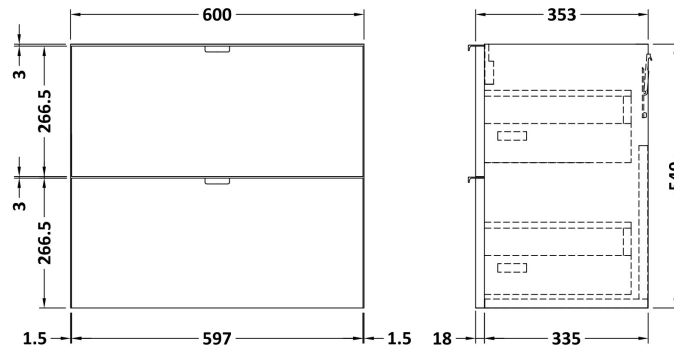


Packaging Details

Barcode: 5056211816669

Sales Code: OFF937

Description: 600 2-Drawer Wall Hung Unit



Product Dimensions

Height (mm):	540
Width (mm):	600
Depth (mm):	353
Nett Weight (kg):	21

Packaging Dimensions

Height (mm):	375
Width (mm):	620
Depth (mm):	560
Gross Weight (kg):	21.5

Packaging Data

Box Colour:	Brown Cardboard Box
Box Qty:	1
Label Size:	100 x 50
Label Colour:	White Label
Label Qty:	2

Outer Box Dimensions (If Applicable)

Height (mm):	
Width (mm):	
Depth (mm):	
Gross Weight (kg):	
Barcode:	5056211812968

Product Details

Country of Origin:	China
Fitting Instruction:	No
CE & UKCA:	N/A
FSC Certified Materials:	Yes
Colour:	Gloss Grey
Construction Method:	Cam & Wood Dowel
Construction Type:	Rigid
Cabinet Finish:	MFC Painted Gloss
Fascia Finish:	MFC Painted Gloss
Cabinet Thickness (mm):	16
Fascia Thickness (mm):	18
Drawer Included:	Yes
Drawer Type:	80mm High Metal Softclose
No of Shelves:	0
Hinge Type:	Not Applicable
Hinge Included:	Not Applicable
Adjustable Legs:	No, Not Required
Fixings Included:	Yes
Handle Style:	Modern
Waste Shroud:	Yes
Handle Included:	Yes, Supplied
Handle Type:	Wrapover

