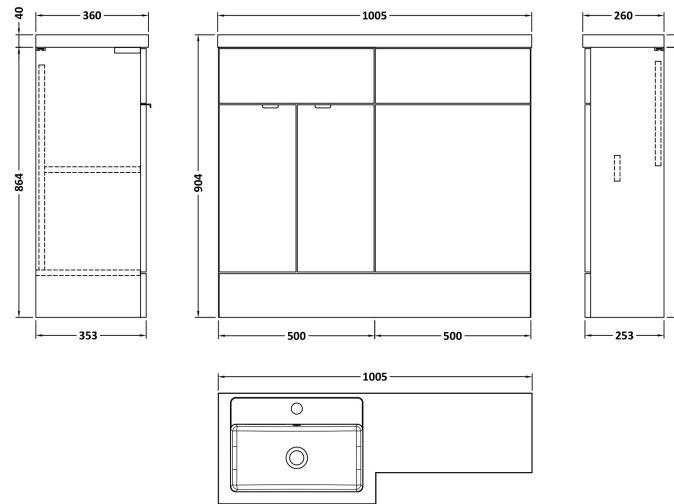


Sales Code: CBI126

Description: 1000mm Combination - Fd - Lh

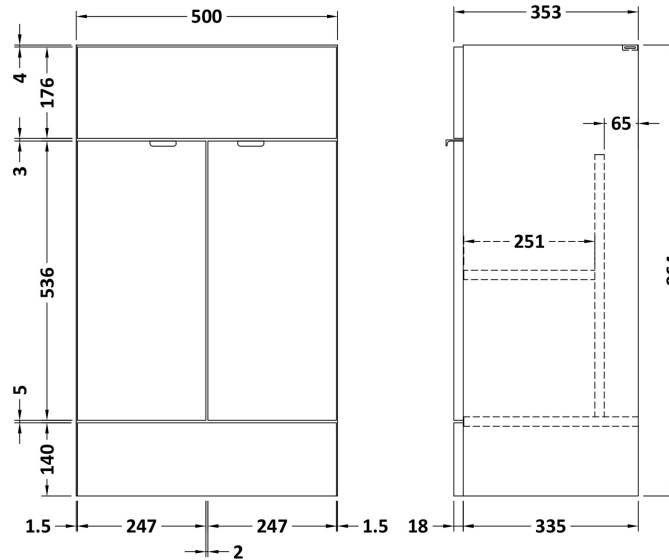


Packaging Details

Barcode: 5055275887288

Sales Code: OFF106

Description: 500 Vanity Unit (355mm Deep)



Product Dimensions

| | |
|-------------------|-----|
| Height (mm): | 864 |
| Width (mm): | 500 |
| Depth (mm): | 355 |
| Nett Weight (kg): | 18 |

Packaging Dimensions

| | |
|--------------------|------|
| Height (mm): | 375 |
| Width (mm): | 520 |
| Depth (mm): | 900 |
| Gross Weight (kg): | 18.5 |

Packaging Data

| | |
|---------------|---------------------|
| Box Colour: | Brown Cardboard Box |
| Box Qty: | 1 |
| Label Size: | 100 x 50 |
| Label Colour: | Not Applicable |
| Label Qty: | 0 |

Outer Box Dimensions (If Applicable)

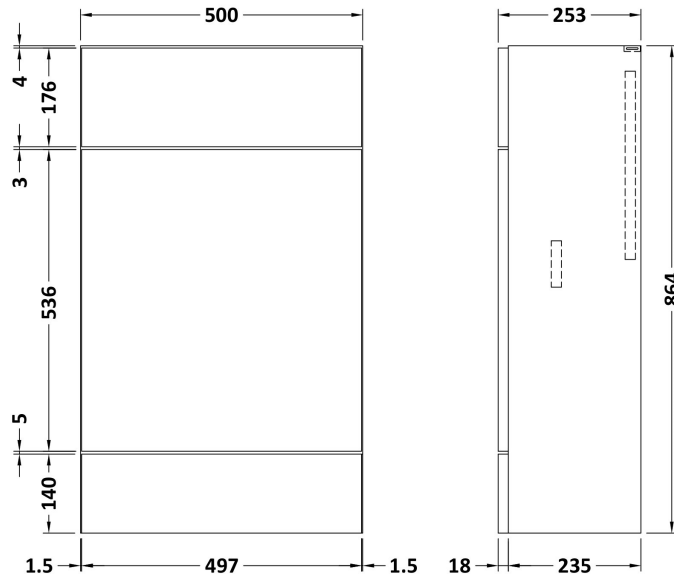
| | |
|--------------------|---------------|
| Height (mm): | |
| Width (mm): | |
| Depth (mm): | |
| Gross Weight (kg): | |
| Barcode: | 5055275817346 |

Product Details

| | |
|--------------------------|------------------------------|
| Country of Origin: | China |
| Fitting Instruction: | No |
| CE & UKCA: | N/A |
| FSC Certified Materials: | Yes |
| Colour: | Gloss White |
| Construction Method: | Cam & Wood Dowel |
| Construction Type: | Rigid |
| Cabinet Finish: | MFC Painted Gloss |
| Fascia Finish: | Mdf Painted Gloss |
| Cabinet Thickness (mm): | 16 |
| Fascia Thickness (mm): | 18 |
| Drawer Included: | No |
| Drawer Type: | Not Applicable |
| No of Shelves: | 1 |
| Hinge Type: | 95 Degree Clip-On Soft Close |
| Hinge Included: | Yes |
| Adjustable Legs: | No |
| Fixings Included: | Yes |
| Handle Style: | Contemporary |
| Waste Shroud: | No |
| Handle Included: | Yes |
| Handle Type: | Wrapover |

Sales Code: OFF145

Description: 500 Wc Unit (255mm Deep)



Product Dimensions

| | |
|-------------------|------|
| Height (mm): | 864 |
| Width (mm): | 500 |
| Depth (mm): | 255 |
| Nett Weight (kg): | 11.5 |

Packaging Dimensions

| | |
|--------------------|-----|
| Height (mm): | 290 |
| Width (mm): | 525 |
| Depth (mm): | 875 |
| Gross Weight (kg): | 12 |

Packaging Data

| | |
|---------------|---------------------|
| Box Colour: | Brown Cardboard Box |
| Box Qty: | 1 |
| Label Size: | 100 x 50 |
| Label Colour: | Not Applicable |
| Label Qty: | 0 |

Outer Box Dimensions (If Applicable)

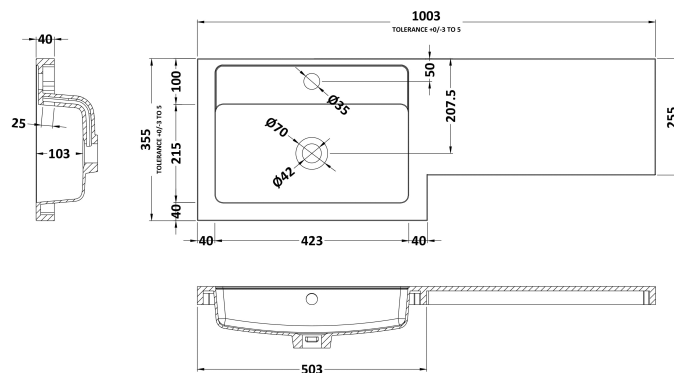
| | |
|--------------------|---------------|
| Height (mm): | |
| Width (mm): | |
| Depth (mm): | |
| Gross Weight (kg): | |
| Barcode: | 5055275816752 |

Product Details

| | |
|--------------------------|-------------------|
| Country of Origin: | China |
| Fitting Instruction: | No |
| CE & UKCA: | N/A |
| FSC Certified Materials: | Yes |
| Colour: | Gloss White |
| Construction Method: | Cam & Wood Dowel |
| Construction Type: | Rigid |
| Cabinet Finish: | MFC Painted Gloss |
| Fascia Finish: | Mdf Painted Gloss |
| Cabinet Thickness (mm): | 16 |
| Fascia Thickness (mm): | 18 |
| Drawer Included: | No |
| Drawer Type: | Not Applicable |
| No of Shelves: | 0 |
| Hinge Type: | Not Applicable |
| Hinge Included: | No |
| Adjustable Legs: | No |
| Fixings Included: | Yes |
| Handle Style: | Not Applicable |
| Waste Shroud: | No |
| Handle Included: | No |
| Handle Type: | Not Applicable |

Sales Code: PMB412L

Description: 1000 L Shaped Basin Lh



Product Dimensions

| | |
|-------------------|------|
| Height (mm): | 135 |
| Width (mm): | 1003 |
| Depth (mm): | 355 |
| Nett Weight (kg): | 15 |

Packaging Dimensions

| | |
|--------------------|------|
| Height (mm): | 190 |
| Width (mm): | 420 |
| Depth (mm): | 1060 |
| Gross Weight (kg): | 15 |

Packaging Data

| | |
|---------------|---------------------|
| Box Colour: | Brown Cardboard Box |
| Box Qty: | 1 |
| Label Size: | 100 x 50 |
| Label Colour: | White Label |
| Label Qty: | 2 |

Outer Box Dimensions (If Applicable)

| | |
|--------------------|---------------|
| Height (mm): | |
| Width (mm): | |
| Depth (mm): | |
| Gross Weight (kg): | |
| Barcode: | 5055275828908 |

Product Details

| | |
|---------------------------|------------|
| Country of Origin: | China |
| Fitting Instruction: | No |
| Certification: CE & UKCA: | No |
| WRAS: | N/A |
| WRAS No: | N/A |
| Product Material: | Polymarble |
| Fixing Supplied: | No |

Pans/Bidets: Trap Style: Not Applicable Includes Seat: No

Seats: Seat Type: Not Applicable Material: Not Applicable
Function: Not Included Hinge Type: Not Relevant
Hinge Material: Not Applicable

Cisterns: Operating Type: Not Applicable Fittings: None Included
Lever Type: Not Applicable

Basins: Tap Hole: One Taphole Chain Stay Hole: No
Template: Not Required Waste Type Req: Slotted
Overflow Inc: Yes Overflow Cover: Yes
Inner Bowl Depth (mm): 103mm