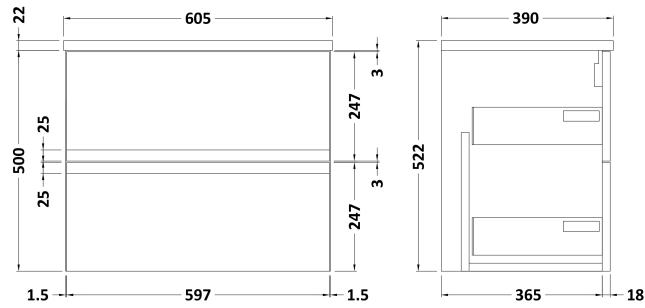


**Sales Code:** URB1404LCM

**Description:** 600 W/H 2-Drawer Unit & Laminate Top

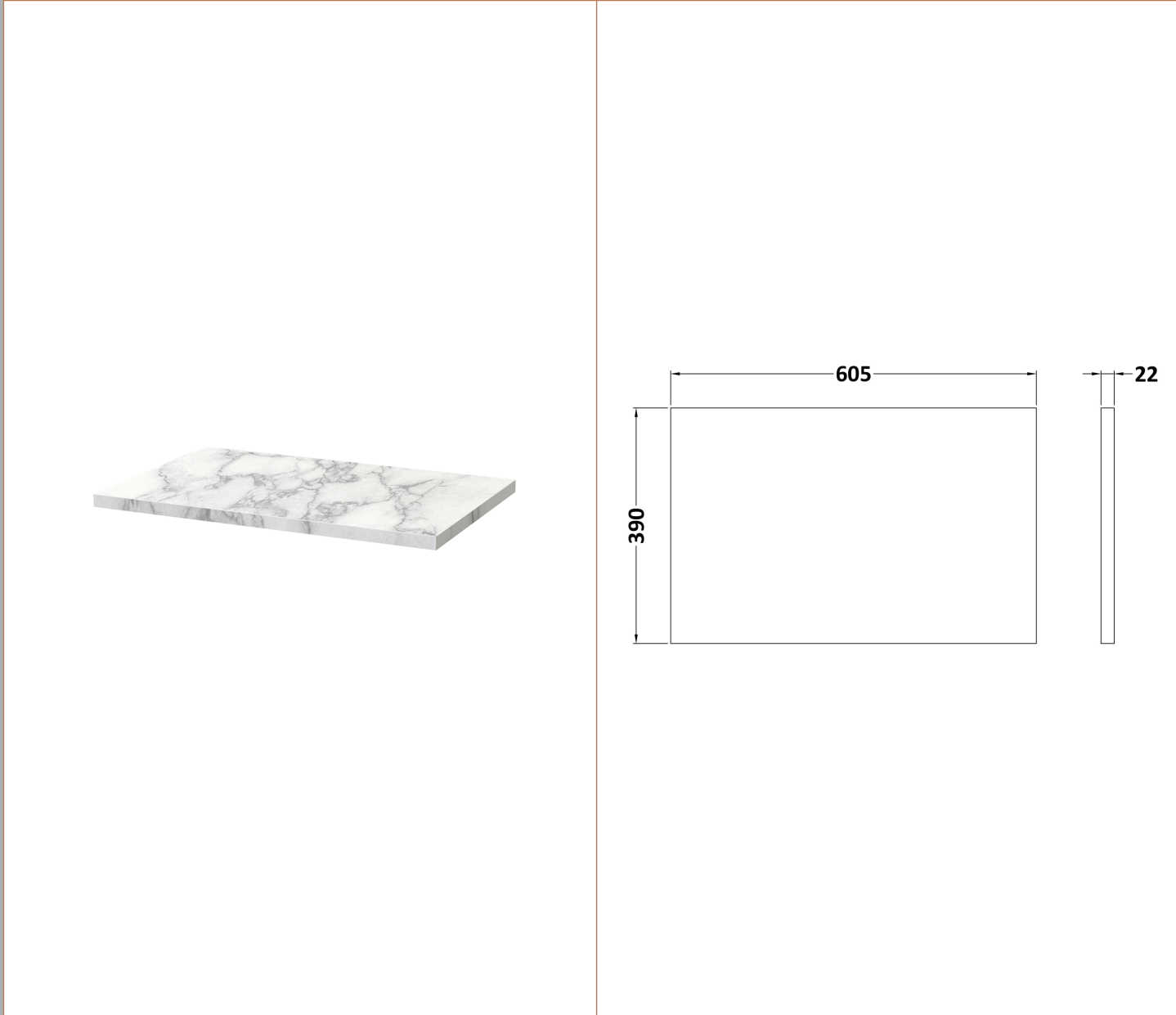


### Packaging Details

Barcode: 5056678456217

**Sales Code:** LCM600

**Description:** Laminate Worktop 605X390x22mm



**Product Dimensions**

|                   |     |
|-------------------|-----|
| Height (mm):      | 22  |
| Width (mm):       | 605 |
| Depth (mm):       | 390 |
| Nett Weight (kg): | 2   |

**Packaging Dimensions**

|                    |     |
|--------------------|-----|
| Height (mm):       | 25  |
| Width (mm):        | 610 |
| Depth (mm):        | 455 |
| Gross Weight (kg): | 2   |

**Packaging Data**

|               |                     |
|---------------|---------------------|
| Box Colour:   | Brown Cardboard Box |
| Box Qty:      | 1                   |
| Label Size:   | 100 x 50            |
| Label Colour: | White Label         |
| Label Qty:    | 1                   |

**Outer Box Dimensions (If Applicable)**

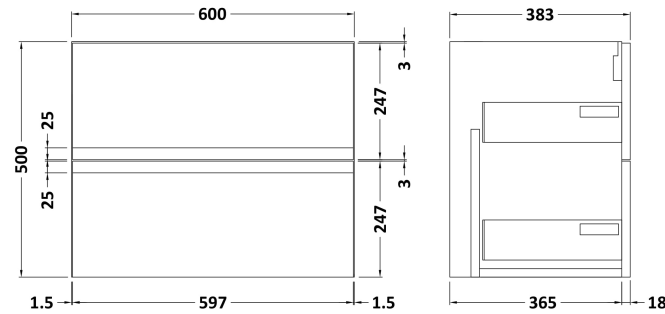
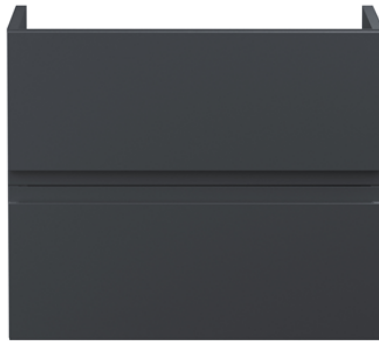
|                    |               |
|--------------------|---------------|
| Height (mm):       |               |
| Width (mm):        |               |
| Depth (mm):        |               |
| Gross Weight (kg): |               |
| Barcode:           | 5056462624433 |

**Product Details**

|                          |                     |
|--------------------------|---------------------|
| Country of Origin:       | United Kingdom      |
| Fitting Instruction:     | No                  |
| CE & UKCA:               | N/A                 |
| FSC Certified Materials: | Yes                 |
| Colour:                  | Matt Carrera Marble |
| Construction Method:     | Not Applicable      |
| Construction Type:       | Not Applicable      |
| Cabinet Finish:          | Not Applicable      |
| Fascia Finish:           | MFC Laminated       |
| Cabinet Thickness (mm):  |                     |
| Fascia Thickness (mm):   | 22                  |
| Drawer Included:         | No                  |
| Drawer Type:             | Not Applicable      |
| No of Shelves:           | 0                   |
| Hinge Type:              | Not Applicable      |
| Hinge Included:          | No                  |
| Adjustable Legs:         | No, Not Required    |
| Fixings Included:        | No                  |
| Handle Style:            | Not Applicable      |
| Waste Shroud:            | Not Applicable      |
| Handle Included:         | No                  |
| Handle Type:             | Not Applicable      |

Sales Code: URB1493

Description: 600 W/H 2-Drawer Unit



### Product Dimensions

|                   |      |
|-------------------|------|
| Height (mm):      | 500  |
| Width (mm):       | 610  |
| Depth (mm):       | 383  |
| Nett Weight (kg): | 21.5 |

### Packaging Dimensions

|                    |     |
|--------------------|-----|
| Height (mm):       | 500 |
| Width (mm):        | 595 |
| Depth (mm):        | 383 |
| Gross Weight (kg): | 22  |

### Packaging Data

|               |                     |
|---------------|---------------------|
| Box Colour:   | Brown Cardboard Box |
| Box Qty:      | 1                   |
| Label Size:   | 100 x 50            |
| Label Colour: | White Label         |
| Label Qty:    | 2                   |

### Outer Box Dimensions (If Applicable)

|                    |               |
|--------------------|---------------|
| Height (mm):       |               |
| Width (mm):        |               |
| Depth (mm):        |               |
| Gross Weight (kg): |               |
| Barcode:           | 5056678402863 |

### Product Details

|                          |                           |
|--------------------------|---------------------------|
| Country of Origin:       | China                     |
| Fitting Instruction:     | No                        |
| CE & UKCA:               | N/A                       |
| FSC Certified Materials: | Yes                       |
| Colour:                  | Satin Anthracite          |
| Construction Method:     | Cam & Wood Dowel          |
| Construction Type:       | Rigid                     |
| Cabinet Finish:          | MFC Painted Matt          |
| Fascia Finish:           | Mdf Painted Matt          |
| Cabinet Thickness (mm):  | 18                        |
| Fascia Thickness (mm):   | 18                        |
| Drawer Included:         | Yes                       |
| Drawer Type:             | 80mm High Metal Softclose |
| No of Shelves:           | 0                         |
| Hinge Type:              | Not Applicable            |
| Hinge Included:          | No                        |
| Adjustable Legs:         | No                        |
| Fixings Included:        | Yes                       |
| Handle Style:            | Not Applicable            |
| Waste Shroud:            | Yes                       |
| Handle Included:         | No, Not Required          |
| Handle Type:             | Handleless                |