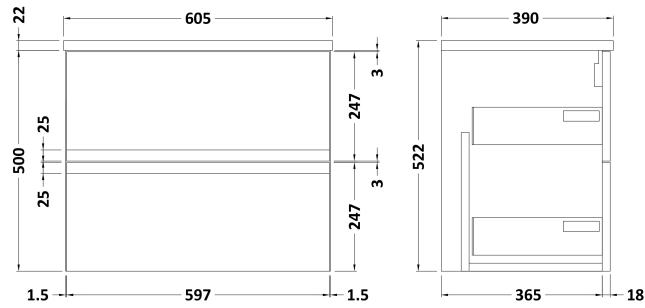
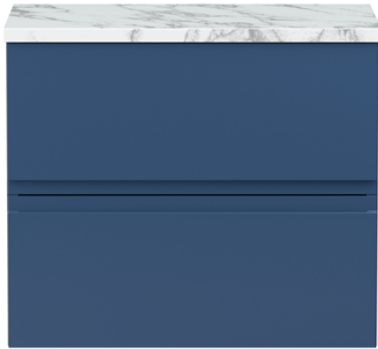


**Sales Code:** URB304LCM

**Description:** 600 W/H 2-Drawer Unit & Lam Worktop

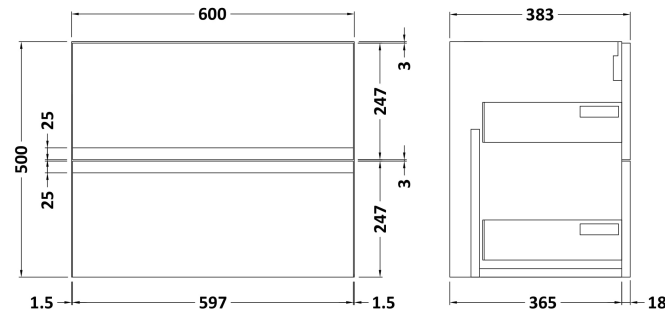
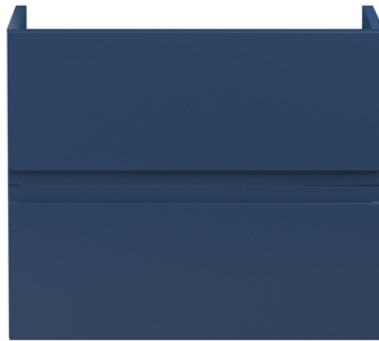


**Packaging Details**

Barcode: 5056678456255

Sales Code: URB393

Description: 600 W/H 2-Drawer Unit



### Product Dimensions

Height (mm):	500
Width (mm):	610
Depth (mm):	383
Nett Weight (kg):	21.5

### Packaging Dimensions

Height (mm):	500
Width (mm):	595
Depth (mm):	383
Gross Weight (kg):	22

### Packaging Data

Box Colour:	Brown Cardboard Box
Box Qty:	1
Label Size:	100 x 50
Label Colour:	White Label
Label Qty:	2

### Outer Box Dimensions (If Applicable)

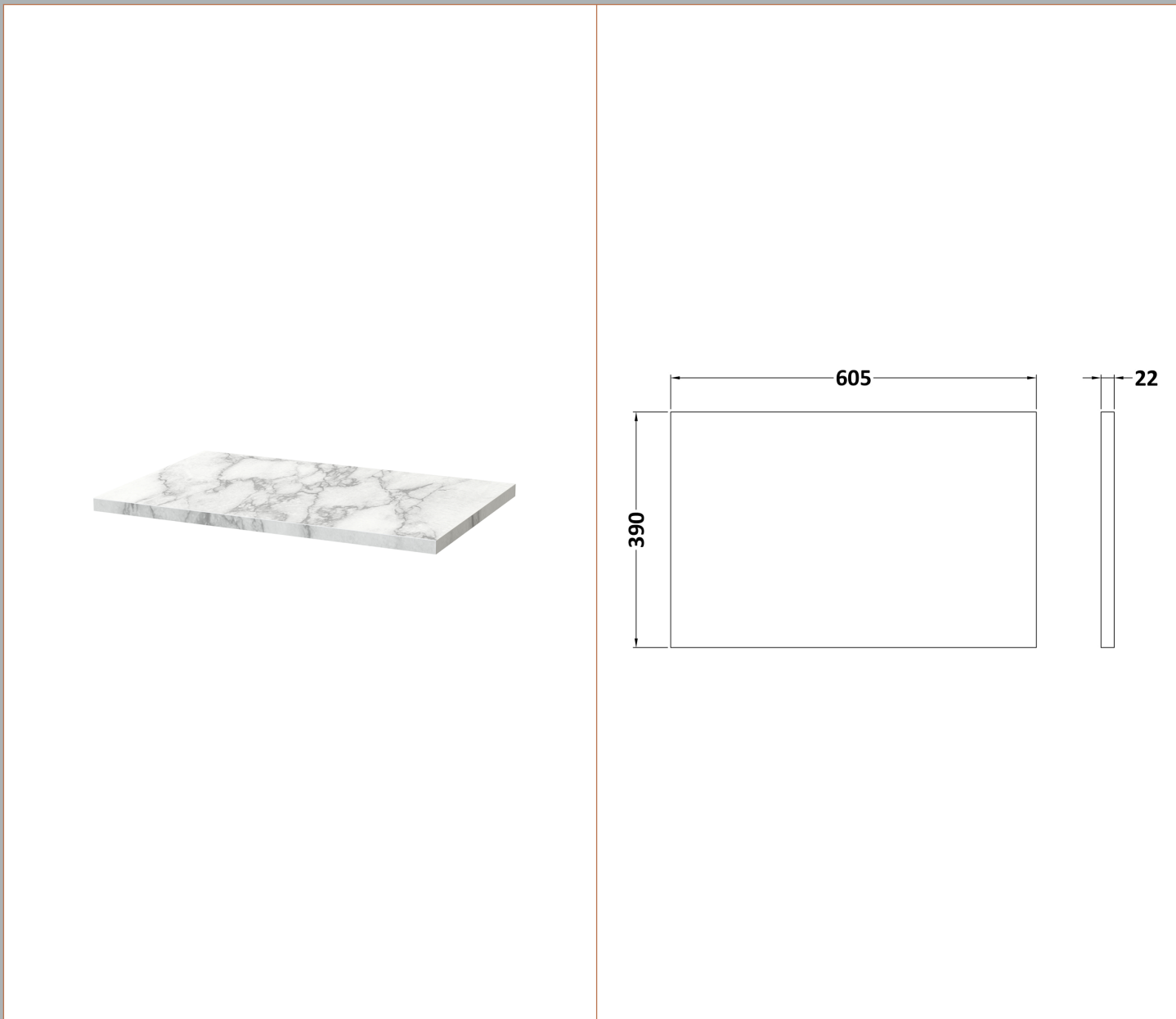
Height (mm):	
Width (mm):	
Depth (mm):	
Gross Weight (kg):	
Barcode:	5056211890478

### Product Details

Country of Origin:	China
Fitting Instruction:	No
CE & UKCA:	N/A
FSC Certified Materials:	Yes
Colour:	Satin Blue
Construction Method:	Cam & Wood Dowel
Construction Type:	Rigid
Cabinet Finish:	MFC Painted Matt
Fascia Finish:	Mdf Painted Matt
Cabinet Thickness (mm):	18
Fascia Thickness (mm):	18
Drawer Included:	Yes
Drawer Type:	80mm High Metal Softclose
No of Shelves:	0
Hinge Type:	Not Applicable
Hinge Included:	No
Adjustable Legs:	No
Fixings Included:	Yes
Handle Style:	Not Applicable
Waste Shroud:	Yes
Handle Included:	No, Not Required
Handle Type:	Handleless

**Sales Code:** LCM600

**Description:** Laminate Worktop 605X390x22mm



<b>Product Dimensions</b>	
Height (mm):	22
Width (mm):	605
Depth (mm):	390
Nett Weight (kg):	2
<b>Packaging Dimensions</b>	
Height (mm):	25
Width (mm):	610
Depth (mm):	455
Gross Weight (kg):	2
<b>Packaging Data</b>	
Box Colour:	Brown Cardboard Box
Box Qty:	1
Label Size:	100 x 50
Label Colour:	White Label
Label Qty:	1
<b>Outer Box Dimensions (If Applicable)</b>	
Height (mm):	
Width (mm):	
Depth (mm):	
Gross Weight (kg):	
Barcode:	5056462624433
<b>Product Details</b>	
Country of Origin:	United Kingdom
Fitting Instruction:	No
CE & UKCA:	N/A
FSC Certified Materials:	Yes
Colour:	Matt Carrera Marble
Construction Method:	Not Applicable
Construction Type:	Not Applicable
Cabinet Finish:	Not Applicable
Fascia Finish:	MFC Laminated
Cabinet Thickness (mm):	
Fascia Thickness (mm):	22
Drawer Included:	No
Drawer Type:	Not Applicable
No of Shelves:	0
Hinge Type:	Not Applicable
Hinge Included:	No
Adjustable Legs:	No, Not Required
Fixings Included:	No
Handle Style:	Not Applicable
Waste Shroud:	Not Applicable
Handle Included:	No
Handle Type:	Not Applicable