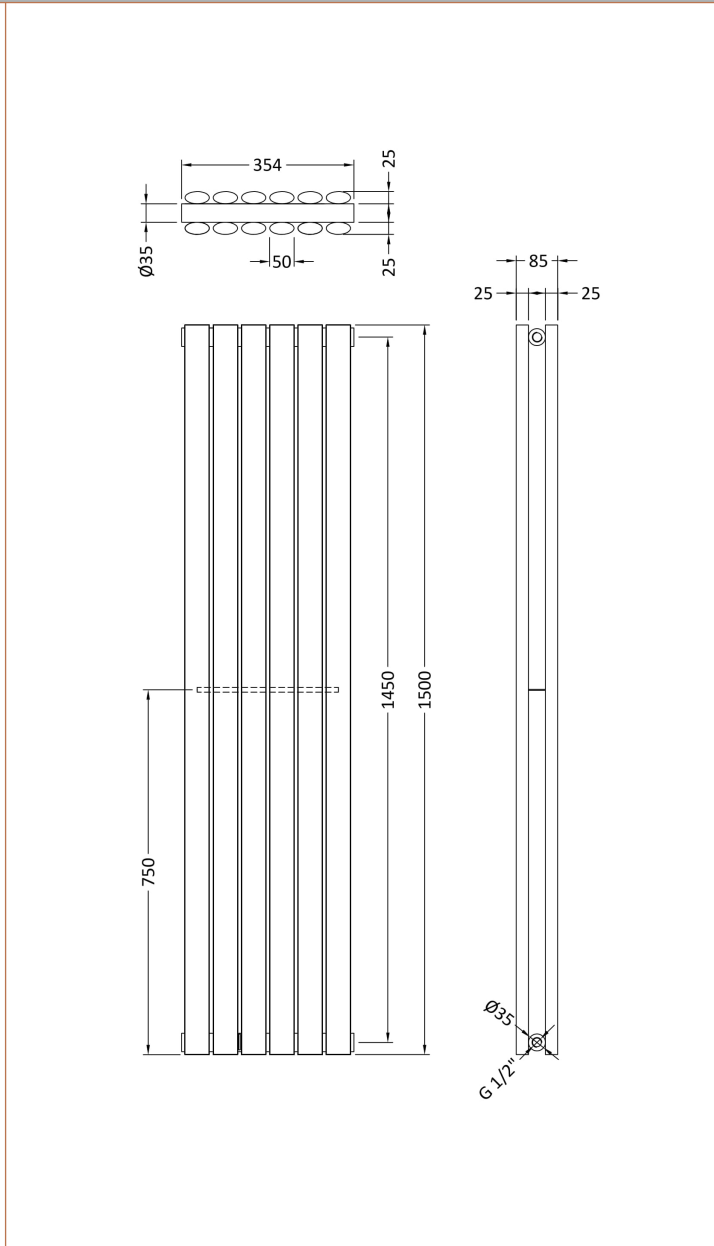


**Sales Code:** HL368

**Description:** Revive Double Panel Radiator 1500X354



**Product Dimensions**

Height (mm):	1500
Width (mm):	354
Depth (mm):	78
Length (mm):	
Nett Weight (kg):	30

**Packaging Dimensions**

Height (mm):	110
Width (mm):	410
Length (mm):	1580
Gross Weight (kg):	31

**Packaging Data**

Box Colour:	White Cardboard Shrinkwrapped
Box Qty:	1
Label Size:	100 x 50
Label Colour:	White Label
Label Qty:	2

**Outer Box Dimensions (If Applicable)**

Height (mm):	
Width (mm):	
Length (mm):	
Gross Weight (kg):	
Barcode:	5055146184911

**Product Details**

Country of Origin:	China		
Fitting Instruction:	No		
Certification:	CE & UKCA: Yes	RoHS: N/A	WEEE: N/A
Colour/Finish:	White		
RAL No:	9016		
Product Material:	Steel		
Heat Element Wattage:	Not Applicable		
Heating Element Wattage Compatible:	N/A		
BTU Outputs:	30°C / 1601	50°C / 3099	60°C / 3926
Thermal Outputs: (Watts)	30°C / 469	50°C / 908	60°C / 1150
Pipe Centres - If Vertical:	444mm		
Pipe Centres - If Horizontal:	1455mm		
Max Projection:	85mm		
Tube Diameter:	N/A		
Packaging Volume (L):			
Wall to Centre of Tappings:	N/A		
Floor to Centre of Tappings:	65		
Dual Fuel:	N/A		
IP Rating:			