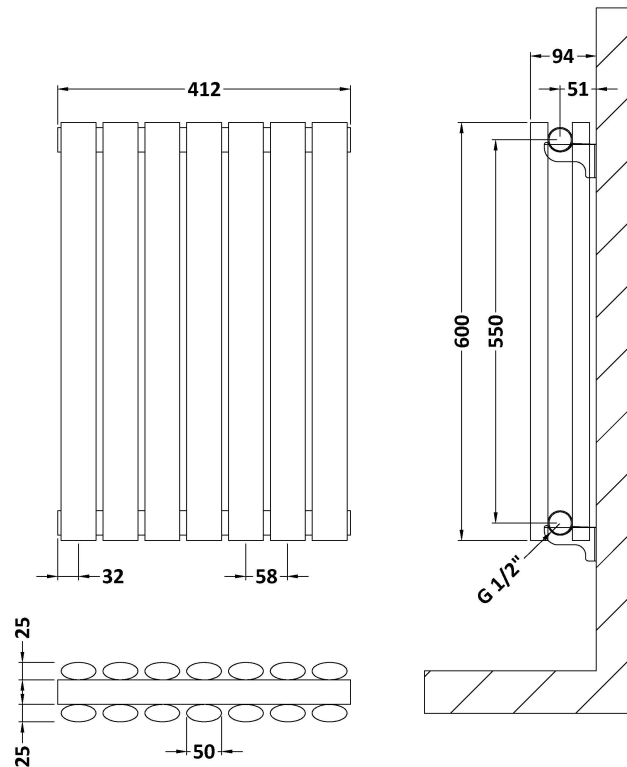


**Sales Code:** HL337D

**Description:** Revive Horizontal Double Panel 600X412



**Product Dimensions**

Height (mm):	600
Width (mm):	412
Depth (mm):	78
Length (mm):	
Nett Weight (kg):	16.3

**Packaging Dimensions**

Height (mm):	660
Width (mm):	473
Length (mm):	105
Gross Weight (kg):	16.8

**Packaging Data**

Box Colour:	White Cardboard Shrinkwrapped
Box Qty:	1
Label Size:	100 x 50
Label Colour:	White Label
Label Qty:	2

**Outer Box Dimensions (If Applicable)**

Height (mm):	
Width (mm):	
Length (mm):	
Gross Weight (kg):	
Barcode:	5056211885177

**Product Details**

Country of Origin:	China		
Fitting Instruction:	No		
Certification:	CE & UKCA: Yes	RoHS: N/A	WEEE: N/A
Colour/Finish:	High Gloss White		
RAL No:	9016		
Product Material:	Steel		
Heat Element Wattage:	Not Applicable		
Heating Element Wattage Compatible:	N/A		
BTU Outputs:	30°C / 800	50°C / 1546	60°C / 1958
Thermal Outputs (Watts):	30°C / 235	50°C / 453	60°C / 574
Pipe Centres - If Vertical:			
Pipe Centres - If Horizontal:	502		
Max Projection:	110mm		
Tube Diameter:			
Packaging Volume (L):			
Wall to Centre of Tappings:	N/A		
Floor to Centre of Tappings:	51		
Dual Fuel:	N/A		
IP Rating:			