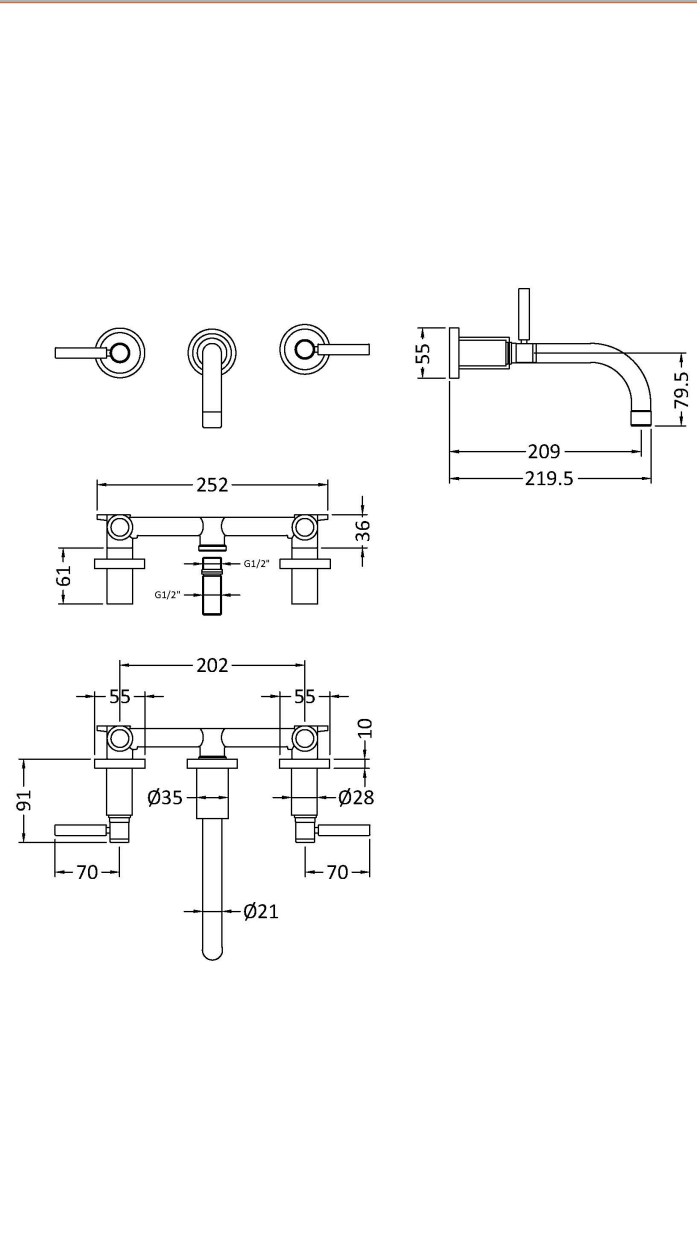


Sales Code: TEL317

Description: Tec Lever W/H Basin Mixer



Product Dimensions

Height (mm):	106
Width (mm):	320
Depth (mm):	260
Length (mm):	
Nett Weight (kg):	2.21

Packaging Dimensions

Height (mm):	140
Width (mm):	180
Depth (mm):	350
Gross Weight (kg):	2.21

Packaging Data

Box Colour:	White Cardboard Box
Box Qty:	1
Label Size:	100 x 50
Label Colour:	White Label
Label Qty:	2

Outer Box Dimensions (If Applicable)

Height (mm):	
Width (mm):	
Depth (mm):	
Length (mm):	
Gross Weight (kg):	18
Barcode:	5055146167914

Product Details

Country of Origin:	United Kingdom
Fitting Instruction:	No
Product Material:	Brass
Control Type:	Manual
Waste Included:	Waste Not Included
Waste Type:	Not Applicable
WRAS Approval: Yes	Approval No: 2204064
Valve/Cartridge Type:	1/4 Turn Ceramic Disc
Colour/Finish:	Chrome
Mount Type:	Wall
Operating Pressure (bar):	0.1
Flow Rates: (Litres Per Min)	0.1 bar: 5 0.5 bar: 12 1 bar: 16 2 bar: 22 3 bar: 27
Pipe Size:	15 mm
Pipe Centres:	N/A