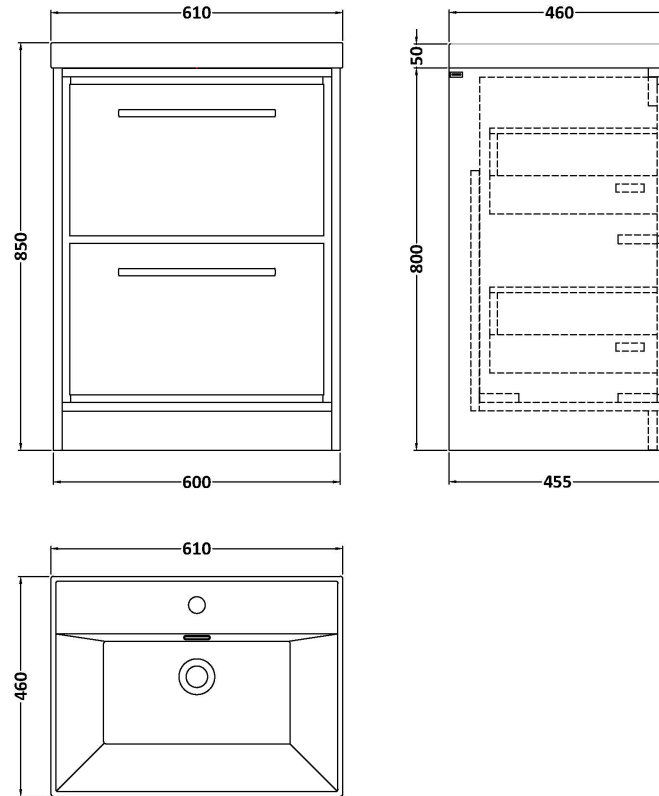


Sales Code: LIL2733E

Description: 600 Fs 2-Drawer Unit & Basin 1Th



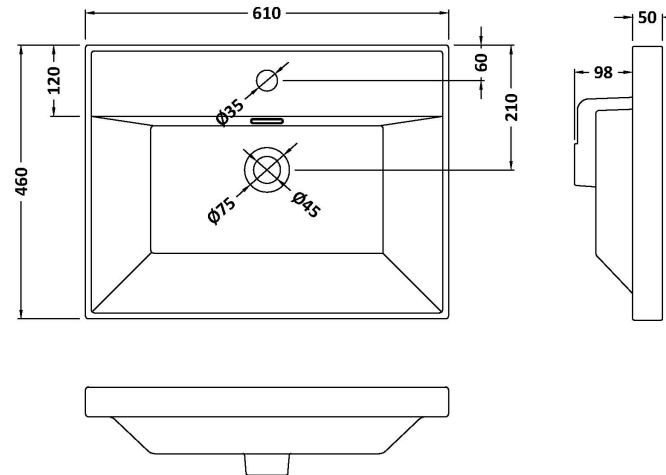
### Packaging Details

Barcode: 5056678486108



Sales Code: NVM063

Description: 610 X 465 Thin-Edge Basin 1Th



### Product Dimensions

Height (mm):	50
Width (mm):	610
Depth (mm):	460
Nett Weight (kg):	13.5

### Packaging Dimensions

Height (mm):	170
Width (mm):	625
Depth (mm):	480
Gross Weight (kg):	14

### Packaging Data

Box Colour:	Brown Cardboard Box - Printed
Box Qty:	1
Label Size:	100 x 50
Label Colour:	White Label
Label Qty:	2

### Outer Box Dimensions (If Applicable)

Height (mm):	
Width (mm):	
Depth (mm):	
Gross Weight (kg):	
Barcode:	5056678484869

### Product Details

Country of Origin:	China
Fitting Instruction:	No
Certification: CE & UKCA:	No WRAS: N/A WRAS No: N/A
Product Material:	Vitreous China
Fixing Supplied:	No

**Pans/Bidets:** Trap Style: Not Applicable Includes Seat: Not Applicable

**Seats:** Seat Type: Not Applicable Material: Not Applicable  
Function: Not Applicable Hinge Type: Not Applicable  
Hinge Material: Not Applicable

**Cisterns:** Operating Type: Not Applicable Fittings: Not Applicable  
Lever Type: Not Applicable

**Basins:** Tap Hole: One Taphole Chain Stay Hole: No  
Template: Not Required Waste Type Req: Slotted  
Overflow Inc: Yes Overflow Cover: Yes  
Inner Bowl Depth (mm): 125mm