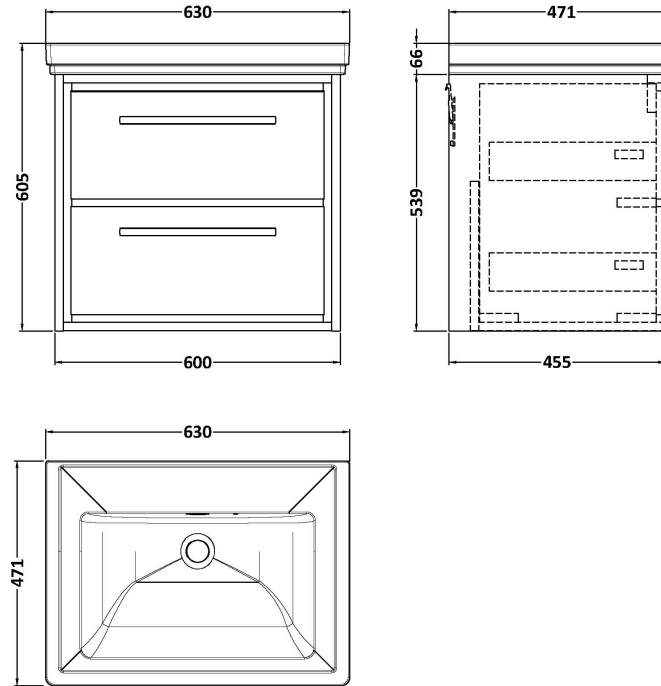


Sales Code: LIL2224H

Description: 600 Wh 2-Drawer Unit & Basin 0Th



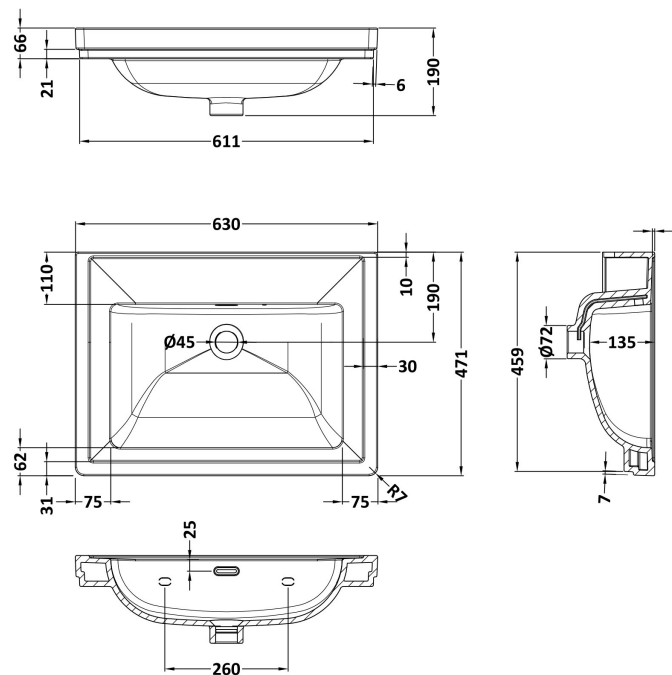
### Packaging Details

Barcode: 5056678486566



Sales Code: CBM513

Description: 600 Classique Basin 0Th



### Product Dimensions

Height (mm):	66
Width (mm):	630
Depth (mm):	471
Nett Weight (kg):	17

### Packaging Dimensions

Height (mm):	490
Width (mm):	650
Depth (mm):	220
Gross Weight (kg):	17

### Packaging Data

Box Colour:	Brown Cardboard Box - Printed
Box Qty:	1
Label Size:	100 x 50
Label Colour:	White Label
Label Qty:	2

### Outer Box Dimensions (If Applicable)

Height (mm):	
Width (mm):	
Depth (mm):	
Gross Weight (kg):	
Barcode:	5056678431191

### Product Details

Country of Origin:	Utd.Arab.Emir.	
Fitting Instruction:	No	
Certification: CE & UKCA: No	WRAS: N/A	WRAS No: N/A
Product Material:	Fireclay	
Fixing Supplied:	No	

**Pans/Bidets:** Trap Style: N/A Includes Seat: Not Applicable

**Seats:** Seat Type: N/A Material: Not Applicable  
Function: Not Applicable Hinge Type: Not Applicable  
Hinge Material: Not Applicable

**Cisterns:** Operating Type: Not Applicable Fittings: Not Applicable  
Lever Type: Not Applicable

**Basins:** Tap Hole: Not Applicable Chain Stay Hole: No  
Template: Not Required Waste Type Req: Slotted  
Overflow Inc: Yes Overflow Cover: Yes  
Inner Bowl Depth (mm): 135 mm